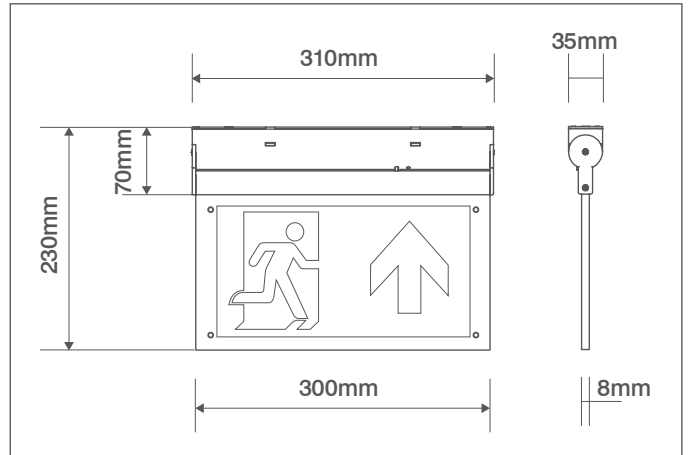


Description: 2W Emergency LED Self-Test Maintained Wall/Ceiling Sign Down Legend



General Information

Dimensions (mm)	310 (W) x 35 (D) x 230 (H)
Materials	Housing: Polycarbonate; Sign: Acrylic
Colour	White
Product Weight (Kg)	0.88
Ingress Protection	IP20
Self-Test Facility	Yes
Warranty (Years)	4

Supply & Power Information

Continuous Operating Voltage (AC) (Hz)	220-240 (50/60)
Safety Class	II
Circuit Wattage (W)	2
Operation Mode	Maintained or Non-maintained
Cable Entry	Rear Aperture
Operating Temperature (°C)	0 to +40
Maximum Critical Temperature (°C)	+70

Luminaire Output

Colour Temperature (K)	5500
Typical Luminous Flux (lm)	40
Beam Angle (°)	100
Viewing Distance (M)	26
LED Lifetime (L70) (Hours)	30000

Emergency Backup Information

Self-Test Facility	Yes
Emergency Luminous Flux (lm)	30
Battery Specification	3.6V 900mAh Ni-Cd Battery - Parallel
Minimum Duration (Hours)	3

Compatible Accessories

- OVEMSP002 - Wall Bracket For Exit Signs
- OVEMB3609NCP - 3.6V 900mAh Ni-Cd Battery - Parallel



OVIA Limited, Scolmore House, Mariner, Lichfield Road Industrial Estate,
 Tamworth, Staffordshire, B79 7UL United Kingdom
 T: +44 (0)1827 300640
 E: sales@oviaUK.com | W: oviaUK.com



Catalogue



Section



DoC



Installation

