

INCEPTOR® HULKE

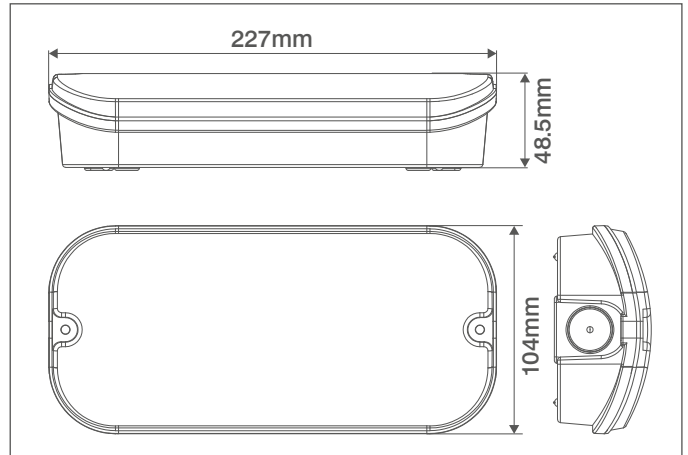
Technical Specification

Product Code: OVEM2311

Luckinslive 408384179



Description: 3W Emergency LED Maintained Hinged Bulkhead IP65



General Information

Dimensions (mm)	215 (L) x 46 (D) x 100 (H)
Materials	Housing: Polycarbonate; Diffuser: Polycarbonate
Colour	White
Product Weight (Kg)	0.35
Ingress Protection	IP65
Warranty (Years)	4

Supply & Power Information

Continuous Operating Voltage (AC) (Hz)	220-240 (50/60)
Safety Class	II
Circuit Wattage (W)	3
Operation Mode	Maintained or Non-maintained
Cable Entry	Ø20mm End Entries
Operating Temperature (°C)	0 to +40
Maximum Critical Temperature (°C)	+70

Luminaire Output

Colour Temperature (K)	5500
Typical Luminous Flux (lm)	151
Beam Angle (°)	110
LED Lifetime (L70) (Hours)	30000

Emergency Backup Information

Emergency Luminous Flux (lm)	107
Battery Specification	3.6V 900mAh Ni-Cd Battery - Serial
Minimum Duration (Hours)	3

Compatible Accessories

- OVEMSP003 - Emergency Bulkhead Legends
- OVEMB3609NCS - 3.6V 900mAh Ni-Cd Battery - Serial

Escape Route 1 lux min

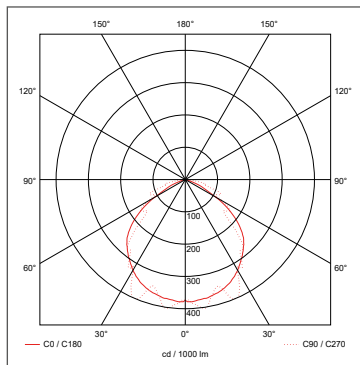
Mounting Height	Axial/Wall	Axial/Axial	Transverse/Axial	Transverse/Transverse	Transverse/Wall
2.0m	2.1	6	6	6	2.1
2.5m	2.3	6.3	6	5.6	2.3
3.0m	2.2	6.4	6.3	6.2	2.4

Illuminance values based on a maintenance factor of 0.8
Photometric spacing data 1 Lux (centre to centre in metres on emergency escape routes)

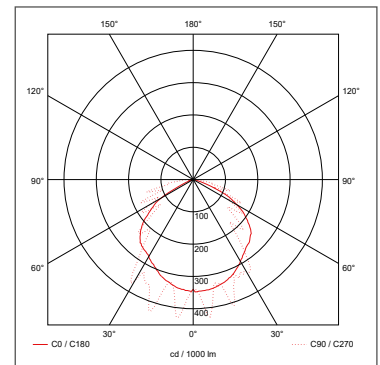
Escape Route 1 lux min

Mounting Height	Axial/Wall	Axial/Axial	Transverse/Axial	Transverse/Transverse	Transverse/Wall
2.0m	2.5	6.5	6.5	5.5	2
2.5m	3	7	7	5.5	2
3.0m	3	7	7	5.6	2.4

Illuminance values based on a maintenance factor of 0.8
Photometric spacing data 1 Lux (centre to centre in metres on emergency escape routes)



Emergency (AC)



Emergency (DC)



OVIA Limited, Scolmore House, Mariner, Lichfield Road Industrial Estate,
Tamworth, Staffordshire, B79 7UL United Kingdom
T: +44 (0)1827 300640
E: sales@oviaUK.com | W: oviaUK.com



Catalogue



Section



DoC



Installation

