

**LOCINOX**

Let's make it better together



## **SlimStone-X**

MANUAL • HANDLEIDING • MANUEL  
ANLEITUNG • INSTRUCCIONES  
INSTRUKCJA • ИНСТРУКЦИИ

## **COPYRIGHT**

Copyright© 2021 Locinox. All rights reserved. This product incorporates copyright protected technology that is protected by a number of EU patent method claims and other intellectual property rights owned by the Locinox Corporation and other rightholders.

Use of this copyright protected technology must be authorized by the Locinox Corporation. Reverse engineering or disassembly is prohibited.

No part of this publication can either be reproduced, communicated, transcribed, stored in a retrieval system or be translated into any language in any form or by any means, whether electronic, mechanical, magnetic, optical, chemical, manual or otherwise, unless explicit written consent has been given by the copyright holder.

## **NOTICE**

The contents of this publication are subject to change. The Locinox Corporation reserves the right to alter the contents of this publication at any time and without notice. The contents of this publication may contain inaccuracies or typographical errors and is supplied for informational use only.

## **TECHNICAL SUPPORT**

If you require any additional information or assistance during the installation, please contact your dealer, who will be able to provide the latest information. Alternatively, you can visit the Locinox website for more technical information or e-mail us on [info@locinox.com](mailto:info@locinox.com). Please keep the serial number at hand of your product for future support.

# SlimStone-X

MANUAL • HANDLEIDING  
MANUEL • ANLEITUNG  
INSTRUCCIONES • INSTRUKCJA  
ИНСТРУКЦИИ

# SlimStone-X



Up to 400  
entry codes



Extreme  
weather  
proof  
IP 68



High  
security  
with  
external  
relays



Frost-free  
with heating  
element

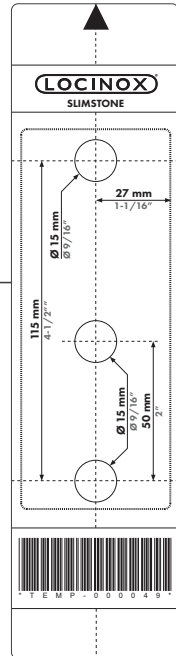
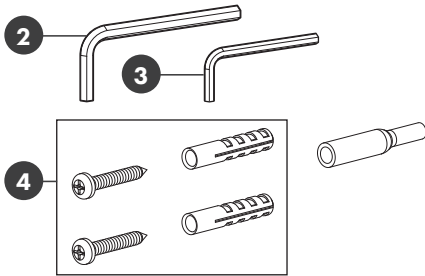
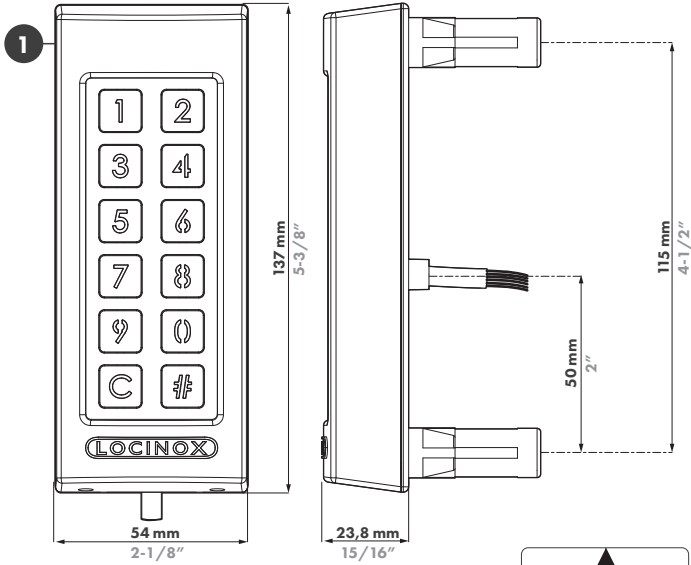


Easily  
readable  
digits by  
LED lighting



Ultimate  
durable  
components

## BOX CONTENT



- 1 SlimStone-X
- 2 Allen key 6 mm
- 3 Allen key 2,5 mm
- 4 Wall mounting set
- 5 Drilling template

# CONTENTS

**EN**

1.	PRODUCT DESCRIPTION .....	8
2.	TECHNICAL SPECIFICATIONS .....	8
3.	MOUNTING .....	8
4.	CABLING .....	10
5.	SYSTEM INSTALLATION .....	10
6.	CONTROL INPUTS .....	11
7.	PROGRAMMING .....	11
8.	FACTORY RESET UPON LOSS OF MASTER PIN .....	12
9.	REPLACING A SLIMSTONE-X .....	12
10.	FUNCTIONING OF SLIMSTONE-X .....	13
11.	REPLACING A SWITCHSTONE-STD .....	13
12.	MAINTENANCE .....	14
13.	GENERAL INFORMATION .....	14
14.	WARRANTY .....	14
15.	TROUBLESHOOTING .....	14
16.	FREQUENTLY ASKED QUESTIONS .....	14
	USER CODES .....	62
	CONNECTION SCHEME .....	67

**NL**

1.	PRODUCTBESCHRIJVING .....	15
2.	TECHNICAL SPECIFICATIONS .....	15
3.	MONTAGE .....	15
4.	BEKABELING .....	17
5.	SYSTEEMINSTALLATIE .....	17
6.	VOORRANGSCONTACTEN .....	18
7.	PROGRAMMERING .....	18
8.	RESET FABRIEKSINSTELLINGEN BIJ VERLIES VAN MASTER-PINCODE .....	20
9.	EEN SLIMSTONE-X VERVANGEN .....	20
10.	WERKING VAN DE SLIMSTONE-X .....	20
11.	EEN SWITCHSTONE-STD VERVANGEN .....	21
12.	ONDERHOUD .....	21
13.	ALGEMENE INFORMATIE .....	21
14.	GARANTIE .....	21
15.	PROBLEEMOPLOSSING .....	22
16.	VEELGESTELDE VRAGEN .....	22
	GEBRUIKERSCODES .....	62
	AANSLUITSCHEMA .....	67

**FR**

1.	DESCRIPTION DU PRODUIT .....	23
2.	TECHNICAL SPECIFICATIONS .....	23
3.	MONTAGE .....	23
4.	CÂBLAGE .....	25
5.	INSTALLATION DU SYSTÈME .....	25
6.	CONTACT PRIORITAIRE .....	26
7.	PROGRAMMATION .....	26
8.	RÉINITIALISATION D'USINE EN CAS DE PERTE DU CODE PIN PRINCIPAL .....	28
9.	REMPACEMENT D'UN SLIMSTONE-X .....	28
10.	FONCTIONNEMENT DU SLIMSTONE-X .....	28
11.	REMPACEMENT D'UN SWITCHSTONE-STD .....	29
12.	ENTRETIEN .....	29
13.	INFORMATIONS GÉNÉRALES .....	29
14.	GARANTIE .....	29
15.	AIDE AU DÉPANNAGE .....	29
16.	QUESTIONS FRÉQUEMMENT POSÉES .....	29
	CODES D'UTILISATEUR .....	62
	SCHEMA DE CONNEXION .....	67

**DE**

1.	PRODUKTBESCHREIBUNG .....	30
2.	TECHNISCHE SPEZIFIKATIONEN .....	30
3.	MONTAGE .....	30
4.	VERKABELUNG .....	32
5.	INSTALLATION DES SYSTEMS .....	32
6.	STEUEREINGÄNGE .....	33
7.	PROGRAMMIERUNG .....	33
8.	ZURÜCKSETZEN AUF WERKSEINSTELLUNGEN BEI VERLUST DES MASTER-PIN-CODES .....	35
9.	AUSTAUSCH EINER SLIMSTONE-X .....	35
10.	FUNKTIONSWEISE DER SLIMSTONE-X .....	35
11.	AUSTAUSCH EINES SWITCHSTONE-STD .....	36
12.	WARTUNG .....	36
13.	ALLGEMEINE INFORMATIONEN .....	36
14.	GARANTIE .....	36
15.	FEHLERBEHEBUNG .....	36
16.	HÄUFIG GESTELLTE FRAGEN .....	37
	BENUTZERCODES .....	62
	VERBINDUNGSSCHEMA .....	67

**ES**

1.	DESCRIPCIÓN DEL PRODUCTO .....	38
2.	ESPECIFICACIONES TÉCNICAS .....	38
3.	MONTAJE .....	38
4.	CABLEADO .....	40
5.	INSTALACIÓN DEL SISTEMA .....	40
6.	ENTRADAS DE CONTROL .....	41
7.	PROGRAMACIÓN .....	41
8.	RESTABLECIMIENTO DE FÁBRICA TRAS PÉRDIDA DEL PINMAESTRO .....	43
9.	SUSTITUCIÓN DE UN SLIMSTONE-X .....	43
10.	FUNCIONAMIENTO DEL SLIMSTONE-X .....	43
11.	SUSTITUCIÓN DE UN SWITCHSTONE-STD .....	43
12.	MANTENIMIENTO .....	44
13.	INFORMACIÓN GENERAL .....	44
14.	GARANTÍA .....	44
15.	RESOLUCIÓN DE PROBLEMAS .....	44
16.	PREGUNTAS FRECUENTES .....	45
	CÓDIGOS DE USUARIO .....	62
	ESQUEMA DE CONEXIÓN .....	67

**PL**

1.	OPIS PRODUKTU .....	46
2.	DANE TECHNICZNE .....	46
3.	INSTALACJA .....	46
4.	PRZEWODY PODŁĄCZENIOWE .....	48
5.	INSTALACJA SYSTEMU .....	48
6.	PRZEKAŹNIKI PRIORYTETOWE .....	48
7.	PROGRAMOWANIE .....	49
8.	PRZYWRACANIE USTAWIEN FABRYCZNYCH W RAZIE UTRATY GŁÓWNEGO KODU PIN .....	51
9.	WYMIANA SLIMSTONE-X .....	51
10.	OBŚŁUGA URZĄDZENIA SLIMSTONE-X .....	51
11.	WYMIANA SWITCHSTONE-STD .....	52
12.	KONSERWACJA .....	52
13.	INFORMACJE OGÓLNE .....	52
14.	GWARANCJA .....	52
15.	ROZWIĄZYWANIE PROBLEMÓW .....	52
16.	CZĘSTO ZADAWANE PYTANIA .....	53
	KODY UŻYTKOWNIKÓW .....	62
	SCHEMAT PODŁĄCZENIA .....	67

**RU**

1.	ОПИСАНИЕ ПРОДУКТА .....	54
2.	ТЕХНИЧЕСКИЕ ХАРАКТЕРИСТИКИ .....	54
3.	МОНТАЖ .....	54
4.	КАБЕЛЬНОЕ ПОДКЛЮЧЕНИЕ .....	56
5.	УСТАНОВКА СИСТЕМЫ .....	56
6.	ВХОДЫ УПРАВЛЕНИЯ .....	57
7.	ПРОГРАММИРОВАНИЕ .....	57
8.	СБРОС ДО ЗАВОДСКИХ НАСТРОЕК ПРИ УТЕРЕ КОНТРОЛЬНОГО ПИН-КОДА .....	59
9.	ЗАМЕНА SLIMSTONE-X .....	59
10.	ФУНКЦИОНИРОВАНИЕ SLIMSTONE-X .....	59
11.	ЗАМЕНА SWITCHSTONE-STD .....	60
12.	ОБСЛУЖИВАНИЕ .....	60
13.	ОБЩАЯ ИНФОРМАЦИЯ .....	60
14.	ГАРАНТИЯ .....	60
15.	УСТРАНЕНИЕ НЕИСПРАВНОСТЕЙ .....	60
16.	ЧАСТО ЗАДАВАЕМЫЕ ВОПРОСЫ .....	61
	КОДЫ ПОЛЬЗОВАТЕЛЕЙ .....	62
	СХЕМА ПОДКЛЮЧЕНИЯ .....	67

# Congratulations with the purchase of your SlimStone-X

## EN 1. PRODUCT DESCRIPTION

The SlimStone-X is a sturdy, weather resistant keypad with integrated LED lighting. This keypad is unique in its kind thanks to its durability. Developed and tested for use in the most extreme weather conditions, SlimStone-X guarantees access control in all circumstances.

The SlimStone-X should be combined with the SwitchStone-STD with a maximum of 4 SlimStone-X and 4 SwitchStone-STD in the same network. This is a 2-channel relay module, containing a Common, Normally Open and Normally Closed contact for each relay. Both relays can be used to control Locinox or 3<sup>rd</sup> party devices. Equipped with the innovative Quick-Fix, alternative fixings for wood and stone are supplied as well.

The SlimStone-X is made of an aluminium powder coated housing with a brushed stainless steel key housing and likewise push buttons.

Up to 400 codes can be programmed.

## 2. TECHNICAL SPECIFICATIONS

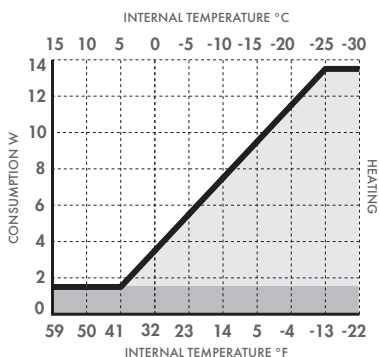
Operational temperature -30°C up to 85°C  
-22°F up to 185°F

Power supply Use in combination with the Locinox PowerStone or the Locinox DC-POWER 24V/25W

Cable length 2 m (6-1/2ft)

IP value IP68

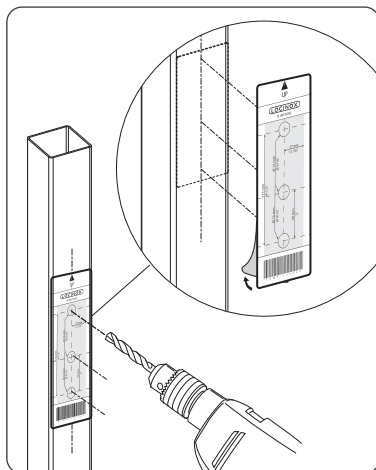
Consumption 1,5 W (> 5°C/41°F) +  
12 W at max heating  
(< -25°C/ < -13°F)



## 3. MOUNTING

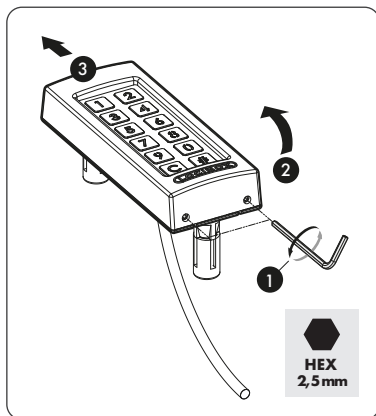
### STEP 1

Stick the template and drill into the wall or post (see p. 5)



### STEP 2

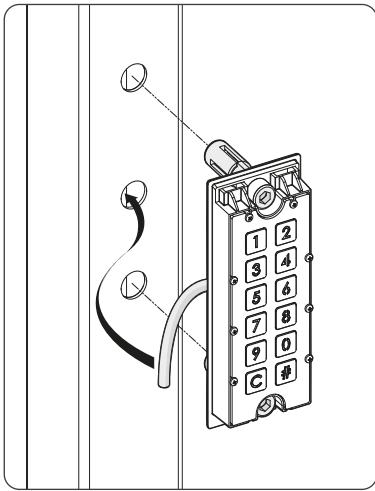
Remove the cover of the SlimStone-X



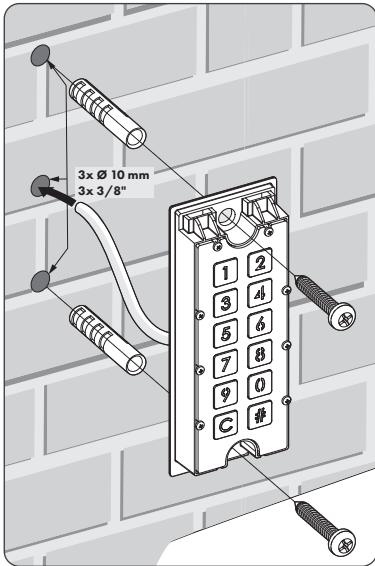


**STEP 3A**

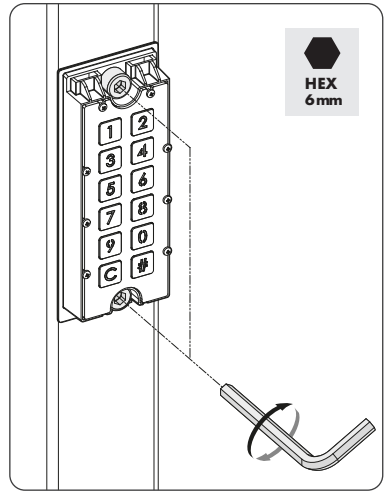
Run the cable through the middle hole in the post

**STEP 3B**

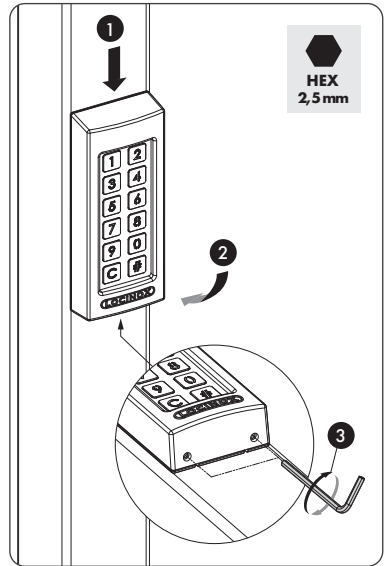
Run the cable through the middle hole in the wall

**STEP 4**

Position the SlimStone-X and tighten both Quick-Fix

**EN****STEP 5**

Position the cover and tighten using 2 screws underneath



## 4. CABLING

The SlimStone-X is equipped with a 2m long 2 conductor cable

See p. 67 for a detailed connection scheme

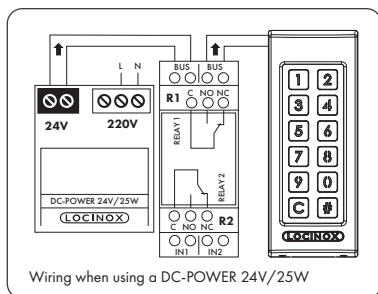
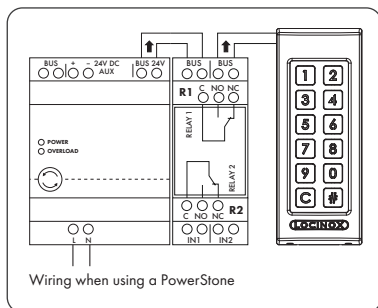
EN

### 4.1 SYSTEM WIRING

Only copper cabling should be used for wiring the system. The required cable diameter depends on the maximum distance between the PowerStone/DC-POWER 24V/25W and the furthest device in the installation:

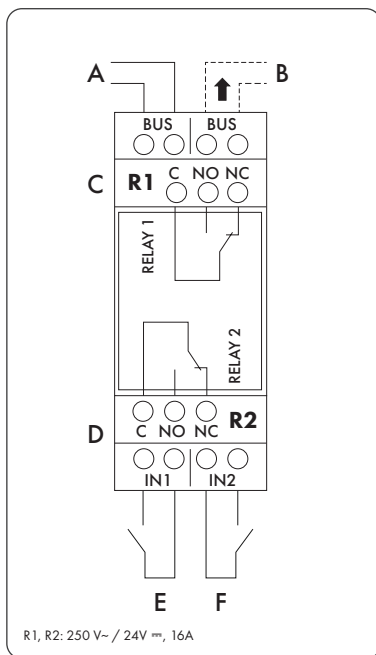
Maximum one-way distance between PowerStone and furthest device in the network	Minimum cable section
25 m	0.2 mm <sup>2</sup> (AWG 24)
100 m	0.75 mm <sup>2</sup> (AWG 18)
300 m	1.5 mm <sup>2</sup> (AWG 15)

Both the PowerStone or DC-POWER 24V/25W can be used to power a network



**⚠** Bus wires have no polarity: there is no need to take polarity (+ or -) into account when connecting cables

## 4.2 SWITCHSTONE-STD DETAILED WIRING



### Power supply

A Incoming power from PowerStone or DC-POWER 24V/25W

### Output to

B Wiring to SlimStone-X

### Relay

C COM, NO and NC contact for relay 1

D COM, NO and NC contact for relay 2

### Control input

E Control input for relay 1

F Control input for relay 2

## 5. SYSTEM INSTALLATION

- Connect the SlimStone-X to the SwitchStone-STD, as described in the previous step
- After powering up, the digits [1] and [6] will start flashing on the keypad (SlimStone-X) and [#] will be permanently lit. On the relaybox (SwitchStone-STD), all LED's will run counterclockwise in a circle
- Select [1]
- Keys [C] and [#] start flashing

- When a Master PIN code has been correctly entered, all digits flash once from top to bottom
- Enter the Master PIN code again and press [#] to confirm

**⚠** When two different codes or a wrong code length is entered, all keys will flash three times, indicating the code setting hasn't been saved. You will be returned to step 1

- When a Master PIN code has been correctly entered twice, all digits flash once from top to bottom
- The SlimStone-X will now detect the SwitchStone-STD
- Once the SlimStone-X is successfully linked to the SwitchStone-STD, all lights on the SlimStone-X will light up, indicating it will be ready for use. On the SwitchStone-STD, the Power LED will light up permanently and the Bus LED will flash to indicate the correct communication with the keypad

In case the SlimStone-X could not detect the SwitchStone-STD, an error message will be shown by rapid left-right flashing of the keypad lights. You will be returned to the beginning of the procedure. Please try again

**⚠** If this is not a new configuration and you want to add a new keypad to an existing installation, press [6] and enter the Master PIN code

## 6. CONTROL INPUTS

- It is possible to connect an external button or actuator to activate the relays (for example, an intercom, or a free-exit button). This button/actuator will have priority over the PIN code.
- To activate relay 1, connect the NO contact of the external button for relay 1 between the 2 terminals of 'E'
- To activate relay 2, connect the NO contact of the external button for relay 2 between the 2 terminals of 'F'
- For more details on control inputs, see the scheme on p. 67

**⚠** Attention! This must be a dry contact with NO function

- The corresponding 'IN' LED on the SwitchStone-STD will light up when the control input is activated. The default relay time setting is 8 seconds

## 7. PROGRAMMING

### 7.1 ACCESS PROGRAMMING MODE

- Press [#] for 5 sec, [C] and [#] will start flashing
- Enter the Master PIN that was set during the installation process and confirm with [#]. The digits of the menu options and the cancel button [C] will now start flashing
- If a wrong Master PIN is entered, the programming mode ends and the time out procedure as described in 10.2 applies
- Select a menu and confirm with [#]. The following menus are available:

- [1] ▶ Manage PIN codes
- [2] ▶ Set Relay Hold time
- [5] ▶ Set Lighting mode
- [7] ▶ Sending Join request
- [8] ▶ Remove device from network

See next paragraph for detailed information

**✎** The programming mode ends automatically when there is no activity for 60 seconds

- After selecting a menu, it's possible to return to the main menu by pressing the [C] key
- Press [C] for 5 seconds to exit the programming mode

### 7.2 MANAGE PIN CODE [1]

- Access programming mode (see 7.1)

**⚠** A maximum of 400 different PIN codes can be programmed (4-8 digits)

- Press [1] and confirm with [#]
- [1] and [#] are both lit
- Enter a new PIN code and confirm with [#]. If the code is accepted, all digits flash once from top to bottom
- In case of a new code, the code will need to be repeated and confirmed with [#]
- The SwitchStone comes with 2 relays. Up to 4 SwitchStones can be connected in the same bus network, so 8 relays in total. Each relay is represented by a number on the keypad
- Select the relay number(s) that you want to control with the entered PIN code. Flashing light means de-selected, while permanently lit means selected
- Press [#] to confirm

- All digits flash once from top to bottom
- You will return to the main menu of the programming mode. The digits of the menu options and the cancel button [C] will start flashing

**!** When two different codes or a wrong code length is entered, all keys will flash three times, indicating the code setting hasn't been saved. Try again. [1] will remain lit

**✎** A code can be removed by de-selecting all relay numbers before confirmation

### 7.3 SET HOLD TIME RELAY [2]

- Access programming mode (see 7.1)
- Press [2] and confirm with [#]
- The digits of the numbers of the available relays start flashing. Press the relay number that you want to configure and confirm with [#]
- Choose the desired switching duration:
  - a value between 1 and 98 for a timed relay (= relay remains active for the chosen number of seconds)
  - '0' for pulse mode (= the relay is activated for 500 ms)
  - '99' for bistable mode (= the relay remains activated until another code is entered)
- Enter a value between 0 and 99, and confirm with [#]. When a correct value has been correctly entered, all digits flash once from top to bottom
- You will return to the main menu of the programming mode. The digits of the menu options and the cancel button [C] will start flashing

**!** In case an invalid time is entered, all keys will flash three times. Menu [3] remains activated

**✎** The default time is set to 8 seconds

### 7.4 SET LIGHTING MODE [5]

- Access programming mode (see 7.1)
- Press [5] and confirm with [#]
- There are 3 lighting modes. The number of the selected mode is permanently lit
- Choose the desired lighting mode:
  - [1] Always Dimmed (20% brightness)
  - [2] Always On (full brightness)
  - [3] Auto-dim (default)  
The brightness of the lighting is dimmed to 20% after 45 seconds inactivity. As soon as a key is pressed, the lighting will be back at full brightness for 45 seconds minimum
- Press [1], [2] or [3] and confirm with [#]. When all digits flash from top to bottom, your choice is correctly saved

- You will return to the main menu of the programming mode. The digits of the menu options and the cancel button [C] will start flashing

**!** Menu option 7 and 8 are used to set up networks with multiple SlimStone-X and/or multiple SwitchStone-STD. Please visit following link for more information to set up a multi-device network:



### 7.5 SENDING JOIN REQUEST [7]

- Access programming mode (see 7.1)
- Press [7] and confirm with [#]
- Enter the serial number of the non-configured device or enter no serial number to join all connected and unconfigured devices
- Press [#] to confirm

### 7.6 REMOVE DEVICE FROM NETWORK [8]

- Access programming mode (see 7.1)
- Press [8] and confirm with [#]
- Enter the serial number of the device you want to remove from the network or enter no serial number to remove all offline devices
- Press [#] to confirm

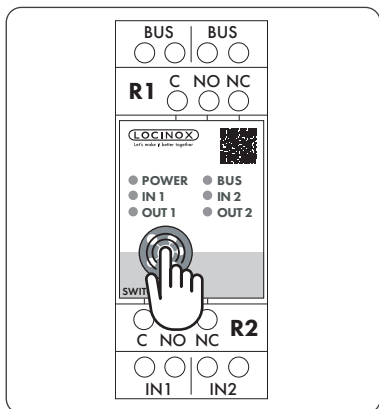
**!** The removed devices can no longer be joined in an existing network. A complete reboot of both SwitchStone-STD and SlimStone-X is required and a new network need to be created

## 8. FACTORY RESET UPON LOSS OF MASTER PIN

When the Master PIN is lost, both the SwitchStone-STD and SlimStone-X need to be reset. The detailed procedures are described in paragraph 8.1 and 8.2. Once both devices are reset, repeat the system installation process, as described in paragraph 5

### 8.1 RESETTING A SWITCHSTONE-STD

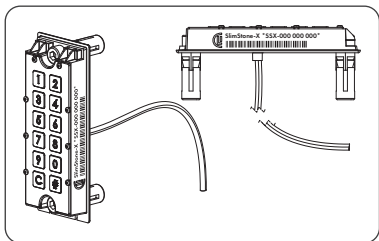
- Press and hold the reset button for 5 seconds to reset the SwitchStone-STD



- Once the reset is complete, all LEDs will flash

## 8.2 RESETTING A SLIMSTONE-X

Write down the 9-digit serial number which can be found on the side of the SlimStone-X



- Press and hold [C] for 5 seconds
- [C] and [#] start flashing
- Enter the 9-digit serial number of the keypad
- Press [#] to confirm
- If the reset was successful, [1] or [6] will start flashing while [#] remains lit
  - [1] Create a new network.  
Proceed as described in paragraph 5
  - [6] Join an existing network.  
Enter the Master PIN of the network and the SlimStone-X will be added. An error message will occur (left-right flashing) if no network configuration is available

If you want to create a new network, the SwitchStone-STD also needs to be reset first

## 9. REPLACE SLIMSTONE-X

- Physically remove the SlimStone-X from the network
- Physically connect the new SlimStone-X to the network

- After powering up, the digits [1] and [6] will start flashing on the keypad (SlimStone-X) and [#] will be permanently lit. In case this pattern is not shown, please reset the keypad before proceeding, according to the procedure described in paragraph 8.2

- Select [6]
- Enter the Master PIN code, press [#] to confirm
- The SlimStone-X will now try to connect to the SwitchStone-STD. This process could take up to 10 seconds
- If successful, the SlimStone-X will go to the normal operating mode. If the procedure fails, verify the cabling and try again

## 10. FUNCTIONING OF SLIMSTONE-X

Installation process, as described in paragraph 5

### 10.1 ENTER A CORRECT CODE

- Enter a PIN code (min. 4 - max. 8 digits)
- Press [#] to confirm
- In case the code is only valid for 1 relay, the relay will be activated immediately
- In case the PIN code is valid for multiple relays, the numbers of the available relays will start flashing. Press a number to activate the corresponding relay
- The selected relay number and [C] light up. (default relay time is 8 seconds)
- The relay selection menu will disappear after 5 seconds. The digits will blink from top to bottom and the SlimStone-X is ready for a new code

### 10.2 ENTER A WRONG CODE

- Enter a wrong PIN
- Press [#] to confirm
- All lights flash twice, indicating a wrong code has been entered

## 11. REPLACE SWITCHSTONE-STD

- Physically remove the SwitchStone-STD from the network
- Install and connect the new SwitchStone-STD
- Confirm that the SwitchStone-STD is in the reset status (= all LEDs are flashing counterclockwise). In case it's not in reset status, see chapter 8.1 to reset the SwitchStone-STD
- Access programming mode (see 7.1)
- Select [7] and confirm with [#]

- The SlimStone-X will add the SwitchStone-STD to the network

**⚠** In case the SwitchStone-STD was not found, an error message will be shown by left-right flashing of the keypad LEDs

EN

## 12. MAINTENANCE

- Clean the housing and display using a soft cloth, moistened with a neutral cleaning agent
- Never use fuel or chemicals on the device since they might harm the housing

## 13. GENERAL INFORMATION

- Please observe the local regulations on the deposit of packaging material and of appliances no longer in use. Our packaging material is eco-friendly. It can be divided into 2 materials: cardboard (box) and expandable polyester (buffer)
- Your device is made of recyclable materials

## 14. WARRANTY

A 2 year warranty covers all electronics

## 15. TROUBLESHOOTING

PROBLEM	SOLUTION
<ul style="list-style-type: none"> <li>• When I try to add a new PIN code or change the timings of a relay, I always get an error (left-right flashing)</li> </ul>	<ul style="list-style-type: none"> <li>• Verify the cabling between the SlimStone-X and SwitchStone-STD. When the SlimStone-X cannot communicate with the SwitchStone-STD, all lights flash left to right.</li> </ul>
<ul style="list-style-type: none"> <li>• The SlimStone-X lighting is off after pushing a button</li> </ul>	<ul style="list-style-type: none"> <li>• Verify the power supply connection</li> </ul>
<ul style="list-style-type: none"> <li>• The SlimStone-X does not react after entering the code</li> </ul>	<ul style="list-style-type: none"> <li>• Entering a code must always be confirmed with [#]</li> </ul>
<ul style="list-style-type: none"> <li>• The lights flash after entering the PIN code and confirmation by pressing [#]</li> </ul>	<ul style="list-style-type: none"> <li>• The entered code does not match any of the registered codes. See 8</li> </ul>

## 16. FREQUENTLY ASKED QUESTIONS

QUESTION	ANSWER
<ul style="list-style-type: none"> <li>• Is the keypad heated?</li> </ul>	<ul style="list-style-type: none"> <li>• Yes, SlimStone-X has a regulated heating system which keeps the keys frost-free</li> </ul>
<ul style="list-style-type: none"> <li>• How weatherproof is the SlimStone-X?</li> </ul>	<ul style="list-style-type: none"> <li>• SlimStone-X is designed to comply with the IP68 standard</li> </ul>



A discarded device can either be returned to your dealer or be sent back to Locinox. This product's recycling fee is € 0,2.



The WEEE marking on the product indicates that it may not be thrown away together with normal household waste and must be handed over to a designated collection point for the recycling of electrical and electronic rejects.



As manufacturer of this product, we guarantee that we have taken all the necessary steps in order to comply with the current safety requirements for this product.

# Proficiat met de aankoop van uw SlimStone-X

## 1. PRODUCTBESCHRIJVING

De SlimStone-X is een robuust en weersbestendig codeklavier met geïntegreerde ledverlichting. Het codeklavier is uniek door zijn duurzaamheid.

De SlimStone-X moet met de SwitchStone-STD gecombineerd worden, met maximaal 4 SlimStone-X en 4 SwitchStone-STD in hetzelfde netwerk. Dit is een tweekanaals-relaismodule, met een gezamenlijk, 'normaal open' en 'normaal gesloten' contact voor elke relais. Beide relais kunnen worden gebruikt om Locinox of externe apparaten te bedienen. Hij is voorzien van de innovatieve Quick-Fix. Er zijn ook alternatieve bevestigingen voor hout en steen meegeleverd.

De SlimStone-X bestaat uit een aluminium gepoederlakte behuizing met een klavier en druktoetsen van geborstelde inox. Maximaal 400 codes kunnen ingesteld worden.

## 2. TECHNISCHE SPECIFICATIES

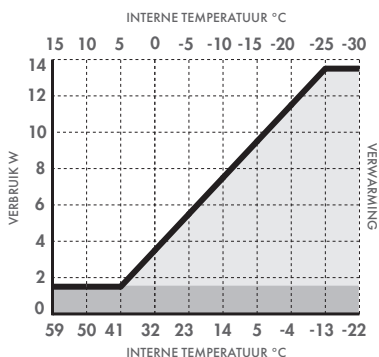
Gebruikstemperatuur -30°C tot 85°C  
-22°F tot 185°F

Voeding Gebruik deze in combinatie met de Locinox PowerStone of de Locinox DC-POWER 24V/25W

Kabellengte 2 m (6-1/2ft)

IP-waarde IP68

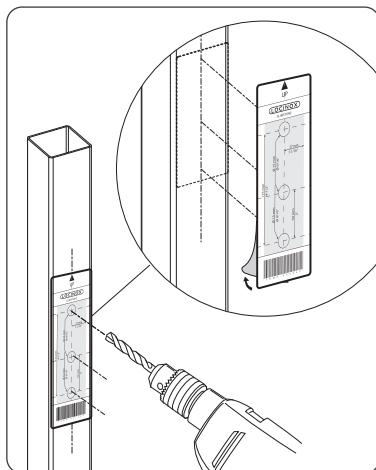
Verbruik 1,5 W (> 5°C/41°F) +  
12 W at max heating  
(< -25°C/ < -13°F)



## 3. MONTAGE

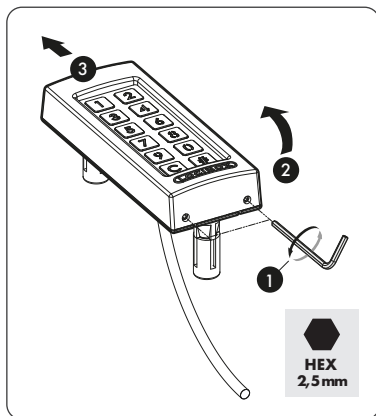
### STAP 1

Kleef het sjabloon en boor in de muur of paal (zie pag. 5)



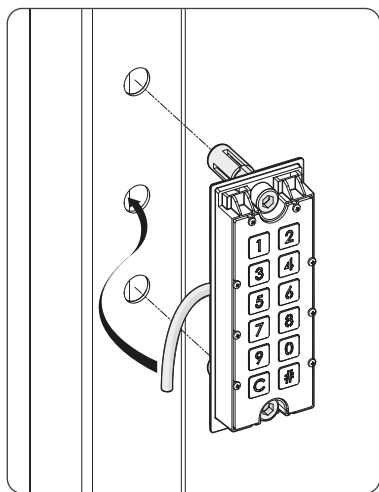
### STAP 2

Verwijder de behuizing van de SlimStone-X



### STAP 3A

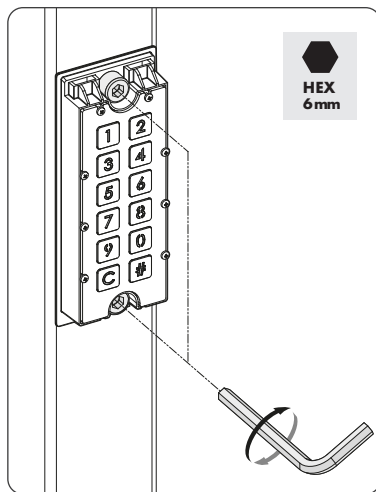
Voer de kabel door het middelste gat in de paal



NL

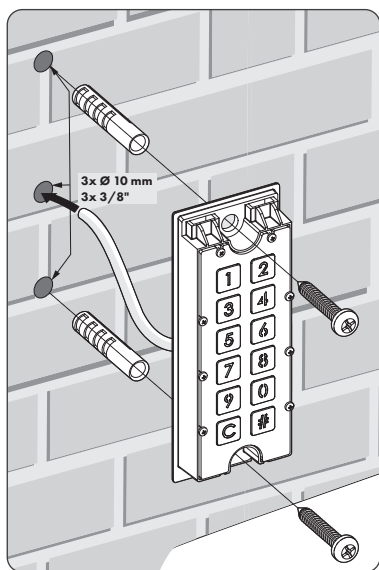
### STAP 4

Positioneer de SlimStone-X en span beide Quick-Fix- bevestigingen aan



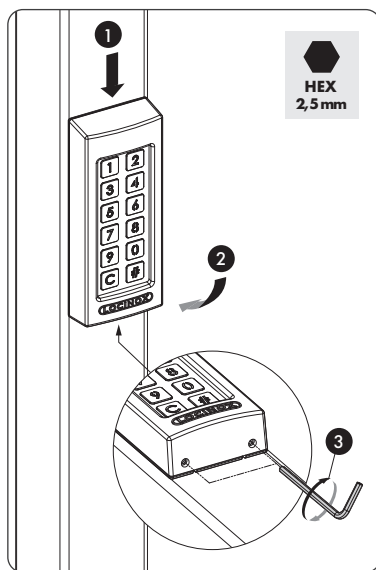
### STAP 3B

Voer de kabel door het middelste gat in de muur



### STAP 5

Plaats de behuizing terug en draai de 2 schroeven onderaan vast





## 4. BEKABELING

De SlimStone-X is voorzien van een 2-conductorkabel van 2 m lang

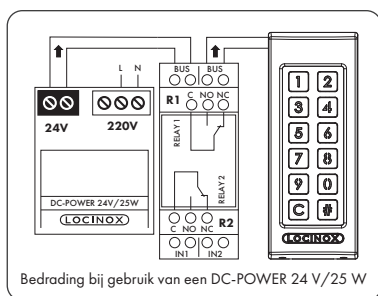
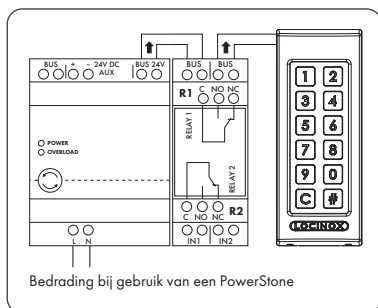
Zie pag. 67 voor een gedetailleerd aansluitschema

### 4.1 SYSTEEMBEDRADING

Het systeem mag alleen worden bedraad met koperdraad. De vereiste kabeldiameter hangt af van de maximale afstand tussen de PowerStone / DC-POWER 24 V/25 W en het verste punt in de installatie:

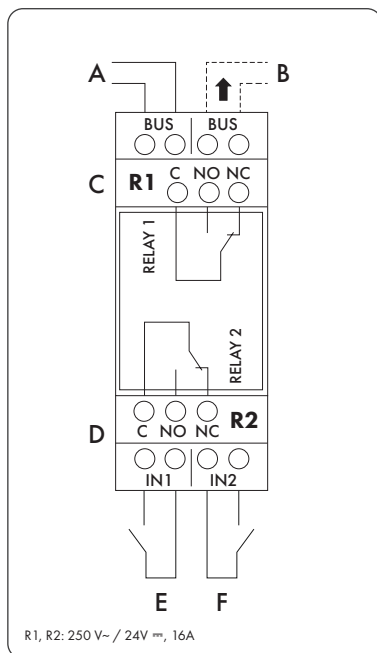
Maximale enkele afstand tussen PowerStone en het verste punt in het netwerk	Minimale kabeldoorsnede
25 m	0.2 mm <sup>2</sup> (AWG 24)
100 m	0.75 mm <sup>2</sup> (AWG 18)
300 m	1.5 mm <sup>2</sup> (AWG 15)

Zowel de PowerStone als de DC-POWER 24 V/25 W kunnen worden gebruikt om een netwerk van stroom te voorzien



**⚠ Busdraden hebben geen polariteit: bij het aansluiten van kabels moet geen rekening gehouden worden met de polariteit (+ of -)**

## 4.2 SWITCHSTONE-STD GEDETAILLEERDE BEDRADING



### Voeding

A Inkomende stroomtoevoer van PowerStone of DC-POWER 24 V/25 W

### Uitvoer naar

B Bedrading naar de SlimStone-X

### Relay

C COM-, NO- en NC-contact voor relais 1

D COM-, NO- en NC-contact voor relais 2

### Voorrangscontact

E Voorrangscontact voor relais 1

F Voorrangscontact voor relais 2

## 5. SYSTEEMINSTALLATIE

- Sluit de SlimStone-X aan op de SwitchStone-STD, zoals beschreven in de vorige stap
- Na het opstarten, beginnen [1] en [6] te knipperen en licht [#] continu op. Op de relaisbox knipperen alle lichten tegen de klok in
- Selecteer [1]
- Toetsen [C] en [#] beginnen te knipperen

- Wanneer een Master PIN correct is ingevoerd, knippen alle cijfers één keer van boven naar onder
- Voer de Master PIN code opnieuw in en druk op [#] om te bevestigen

**⚠** Als twee verschillende codes worden ingevoerd of als te weinig of te veel cijfers zijn ingegeven, knippen alle toetsen drie keer om aan te geven dat de code niet bewaard is. U keert terug naar stap 1

- Wanneer een Master PIN code twee keer correct is ingevoerd, knippen alle cijfers één keer na elkaar, van boven naar beneden
- De SlimStone-X detecteert nu de SwitchStone-STD
- Zodra de SlimStone-X met de SwitchStone-STD gekoppeld is, gaan alle lichten op de SlimStone-X branden. Dit betekent dat het toestel gebruiksklaar is. Op de SwitchStone-STD blijft de aan/uit-led branden. De bus-led gaat knippen om aan te geven dat de communicatie met het bedieningspaneel correct verloopt

Als de SlimStone-X de SwitchStone-STD niet kon detecteren, wordt een foutmelding getoond: de toetsenbordverlichting zal dan snel links-rechts knippen. U wordt teruggestuurd naar het begin van de procedure. Probeer opnieuw

**⚠** Is dit geen nieuwe configuratie en wil je een nieuw codeklavier toevoegen aan een bestaande installatie, druk op [6] en voer de Master PIN code in

## 6. VOORRANGSCONTACTEN

- U kunt een externe toets of actuator aansluiten om de relais te activeren (bijvoorbeeld een intercom of een 'free-exit'-toets). Deze toets/actuator heeft voorrang op de pincode
- Relais 1 inschakelen: sluit het NO-contact van de externe toets voor relais 1 aan tussen de 2 aansluitingen van 'E'
- Relais 2 inschakelen: sluit het NO-contact van de externe toets voor relais 2 aan tussen de 2 aansluitingen van 'F'
- Raadpleeg het aansluitschema op pagina 67 voor meer info over de voorrangcontacten

**⚠** Opgelet! Dit moet een droog contact zijn met NO-werking

- De overeenkomstige 'IN'-led op de SwitchStone-STD gaat even branden wanneer het voorrangcontact wordt ingeschakeld. De standaardinstelling voor de relaijstijd is 8 seconden

## 7. PROGRAMMERING

### 7.1 PROGRAMMATIEMODUS

- Houd [#] 5 seconden lang ingedrukt, [#] en [C] beginnen te knippen
- De menu-toets en de annulatietoets [C] beginnen nu te knippen
- Als een foute Master PIN code is ingevoerd, eindigt de programmatiemodus en start de pauzeprocedure zoals beschreven in 10.2
- Selecteer een menu en bevestig met [#]. De volgende menu's zijn beschikbaar:

- [1] ▶ Pincode beheren
- [2] ▶ Relaiswachtijd instellen
- [5] ▶ Verlichtingsmodus instellen
- [7] ▶ Verzoeken om toetreding verzenden
- [8] ▶ Apparaat uit netwerk verwijderen

Zie de volgende paragraaf voor gedetailleerde informatie

**✎** De programmatiemodus eindigt automatisch als er gedurende 60 seconden geen activiteit is

- Nadat een menu gekozen is, keert u terug naar het hoofdmenu door op [C] te drukken
- Houd [C] 5 seconden lang ingedrukt om de programmatiemodus te verlaten

### 7.2 PINCODE BEHEREN [1]

- Start de programmatiemodus (zie 7.1)

**⚠** U kunt maximaal 400 verschillende pincodes programmeren (4-8 cijfers)

- Druk op [1] en bevestig met [#]
- [1] en [#] lichten op
- Voer een nieuwe pincode in en bevestig met [#]. Als de code wordt geaccepteerd, knippen alle cijfers
- Voer een nieuwe pincode in en bevestig met [#]
- De SwitchStone wordt geleverd met twee relais. Er kunnen maximaal vier SwitchStones in hetzelfde busnetwerk worden aangesloten. Dat maakt acht relais in totaal. Elk relais wordt vertegenwoordigd door een nummer op het toetsenbord
- Selecteer het (de) relaisnummer(s) dat (die) u met de ingevoerde pin-code wilt bedienen. Een knipperend lampje betekent gedeselecteerd; een lampje dat blijft branden betekent geselecteerd
- Druk op [#] om te bevestigen

- Alle cijfers knippen één keer na elkaar van boven naar beneden
- U keert terug naar het hoofdmenu van de programmeringsmodus. De cijfers van de menu-opties en de annuleertoets [C] beginnen te knippen

**⚠** Als twee verschillende codes worden ingevoerd of als te weinig of te veel cijfers zijn ingegeven, knippen alle toetsen drie keer om aan te geven dat de code niet bewaard is. Probeer opnieuw. [1] blijft oplichten

**✎** Een code kan worden verwijderd door alle relais nummers voor bevestiging te deselecteren

### 7.3 CONTACTTIJD RELAIS INSTELLEN [2]

- Start de programmatiemodus (zie 7.1)
- Druk op [2] en bevestig met [#]
- De cijfers van de nummers van de beschikbare relais beginnen te knippen. Druk op het relaisnummer dat u wilt configureren en bevestig met [#]
- Kies de gewenste schakelduur:
  - een waarde tussen 1 en 98 voor een tijdgeprogrammeerd relais (= relais blijft actief gedurende het gekozen aantal seconden)
  - '0' voor pulsmodus (= het relais is gedurende 500 ms actief)
  - '99' voor bistabiele modus (= het relais blijft actief tot een andere code is ingevoerd)
- Voer een waarde tussen 0 en 99 seconden in en bevestig met [#]. Als alle leds knippen, is uw keuze opgeslagen
- U keert terug naar het hoofdmenu
- De cijfers van de menu-opties en de annuleringsstoets [C] beginnen te knippen

**⚠** Als een ongeldige duur is ingevoerd, knippen alle toetsen drie keer. Menu [3] blijft geactiveerd

**✎** De standaardduur is ingesteld op 8 seconden

### 7.4 LICHTMODUS INSTELLEN [5]

- Start de programmatiemodus (zie 7.1)
- Druk op [5] en bevestig met [#]
- Er zijn 3 verlichtingsstanden. Het nummer van de geselecteerde modus blijft verlicht
- Kies de gewenste verlichtingsmodus:
  - [1] Altijd gedimd (20% helderheid)
  - [2] Altijd aan (volledige helderheid)
  - [3] Automatisch dimmen (standaard)

- De helderheid van de verlichting wordt na 45 seconden inactiviteit gedimd tot 20%. Zodra er een toets wordt ingedrukt, gaat de verlichting minimaal 45 seconden lang opnieuw volledig aan
- Druk op [1], [2] of [3] en bevestig met [#]. Als alle cijfers van boven naar beneden knippen, is uw keuze correct opgeslagen
- U keert terug naar het hoofdmenu van de programmeringsmodus. De cijfers van de menu-opties en de annuleertoets [C] beginnen te knippen

**⚠** De menu-opties 7 en 8 worden gebruikt voor het opzetten van netwerken met meerdere SlimStone-X en/of meerdere SwitchStone-STD. Ga naar de volgende link voor meer informatie over het installeren van een netwerk met meerdere apparaten:



### 7.5 EEN VERZOEK OM TOETREDING WORDT VERZONDEN [7]

- Programmeringsmodus (zie 7.1)
- Druk op [7] en bevestig met [#]
- Voer het serienummer in van het niet-geconfigureerde apparaat of voer geen serienummer in om alle aangesloten en niet-geconfigureerde apparaten samen te voegen
- Druk op [#] om te bevestigen

### 7.6 APPARAAT VERWIJDEREN VAN NETWERK [8]

- Programmeringsmodus (zie 7.1)
- Druk op [8] en bevestig met [#]
- Voer het serienummer in van het apparaat dat u uit het netwerk wilt verwijderen of voer geen serienummer in om alle offline apparaten te verwijderen
- Druk op [#] om te bevestigen

**⚠** De verwijderde apparaten kunnen niet meer in een bestaand netwerk worden opgenomen. Een volledige herstart van zowel SwitchStone-STD als SlimStone-X is vereist en een nieuw netwerk moet worden aangemaakt

Als je een nieuw netwerk wilt instellen, moet de SwitchStone-STD ook opnieuw worden gereset

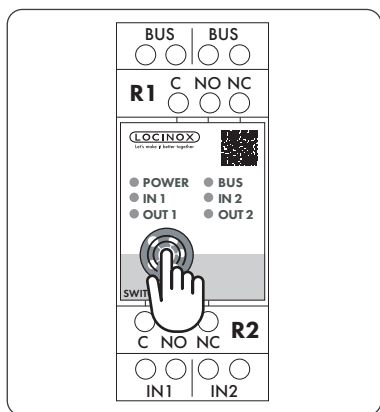
## 8. RESET FABRIEKINSTELLINGEN BIJ VERLIES VAN MASTER PINCODE

NL

Als u de Master PIN code verloren hebt, moeten zowel de SwitchStone-STD als de SlimStone-X worden gereset. De gedetailleerde procedures worden beschreven in paragrafen 8.1 en 8.2. Zodra beide toestellen zijn gereset, installeert u het systeem opnieuw zoals beschreven in paragraaf 5

### 8.1 EEN SWITCHSTONE-STD RESETTEN

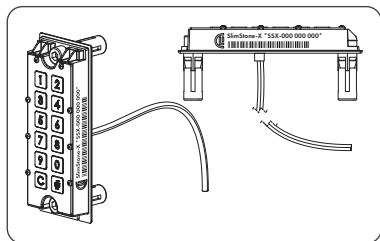
- Houd de resettoets 5 seconden lang ingedrukt om de SwitchStone-STD te resetten



- Zodra de reset is voltooid, knipperen alle leds behalve de aan-uitled

### 8.2 EEN SLIMSTONE-X RESETTEN

Noteer het serienummer van 9 cijfers dat u vindt aan de zijkant van de SlimStone-X



- Houd [C] 5 seconden lang ingedrukt
- [C] licht op, [#] begint te knipperen
- Voer het serienummer van 9 cijfers van het klavier in
- Druk op [#] om te bevestigen

- Als de reset is gelukt, begint [1] of [6] te knipperen terwijl [#] opgelicht blijft

- [1] Maak een nieuw netwerk.  
Ga te werk zoals beschreven in punt 5
- [6] Sluit je aan bij een bestaand netwerk.  
Voer de master-pin van het netwerk in en de SlimStone-X wordt toegevoegd. Er verschijnt een foutmelding (links-rechts knipperend) als er geen netwerkconfiguratie beschikbaar is

Als u een nieuw netwerk wilt creëren, moet de SwitchStone-STD ook eerst worden gereset

## 9. EEN SLIMSTONE-X VERVANGEN

- Verwijder de SlimStone-X fysiek van het netwerk
- Verbind de nieuwe SlimStone-X met het netwerk
- Na het inschakelen beginnen de cijfers [1] en [6] op het toetsenbord (SlimStone-X) te knipperen. [#] blijft branden. Als dit patroon niet wordt getoond, reset dan vooraleer verder te gaan het toetsenbord volgens de procedure beschreven in paragraaf 8.2
- Selecteer [6]
- Voer de Master PIN code in, druk op [#] om te bevestigen
- De SlimStone-X toont het wachtpatroon, wat aangeeft dat hij een verbinding probeert te maken met de SwitchStone-STD. Dit kan tot 10 sec duren
- Als dat is gelukt, gaat de SlimStone-X naar de normale bedrijfsmodus. Als de procedure is mislukt, controleer de bekabeling en probeer opnieuw

## 10. EEN SWITCHSTONE-X VERVANGEN

Installatieproces, zoals beschreven in paragraaf 5

### 10.1 EEN CORRECTE CODE INVOEREN

- Voer een pincode in (min. 4 en max. 8 cijfers)
- Druk op [#] om te bevestigen
- Is de code alleen geldig is voor 1 relais, wordt het relais onmiddellijk geactiveerd
- Indien de pin-code geldig is voor meerdere relais beginnen de nummers van de beschikbare relais te knipperen. Druk op een nummer om het corresponderende relais te activeren
- Het geselecteerde relaisnummer en [C] lichten op. (standaard relaijtijd is 8 seconden)
- Het keuzemenu van de relais verdwijnt na 5 seconden. De cijfers knipperen van boven naar beneden en de SlimStone-X is klaar voor een nieuwe code

## 10.2 EEN FOUTE CODE INVOEREN

---

- Voer een foute pincode in
- Druk op [#] om te bevestigen
- Alle lichten knipperen 2 maal. Dit betekent dat een foute code is ingegeven

## 11. EEN SWITCHSTONE-STD VERVANGEN

---

- Verwijder de SwitchStone-STD fysiek van het netwerk
- Verbind de nieuwe SwitchStone-STD met het netwerk
- Controleer of de SwitchStone-STD in resetstatus zit (= alle leds knipperen linksom). Als hij niet in de resetstatus zit, raadpleeg dan hoofdstuk 8.1 om de SwitchStone-STD te resetten
- Start de programmatiemodus (zie 7.1)
- Selecteer [7], druk op [#] om te bevestigen
- De SlimStone-X voegt de SwitchStone-STD toe aan het netwerk

**⚠** *Indien de SwitchStone-STD niet werd gevonden, zal een foutmelding getoond worden door het links-rechts knipperen van de LEDs van het toetsenbord*

## 12. ONDERHOUD

---

- Maak de behuizing en het scherm schoon met een zacht doekje, bevochtigd met een neutraal schoonmaakmiddel
- Gebruik nooit brandstof of chemische middelen op het toestel, want die kunnen de behuizing aantasten

NL

## 13. ALGEMENE INFORMATIE

---

- Volg de plaatselijke reglementen voor het weggooien van verpakkingsmateriaal en van toestellen die niet meer worden gebruikt. Ons verpakkingsmateriaal is milieuvriendelijk. Het kan worden verdeeld in 2 materialen: karton (doos) en uitzetbaar polyester (buffer)
- Uw toestel is gemaakt van recyclebare materialen

## 14. GARANTIE

---

Een garantie van 2 jaar dekt alle elektronica

## 15. PROBLEEMOPLOSSING

NL

PROBLEEM	OPLOSSING
<ul style="list-style-type: none"><li>• Wanneer ik probeer een nieuwe pincode toe te voegen of de duur van een relais te wijzigen, krijg ik altijd een foutmelding (links-rechts knipperen)</li></ul>	<ul style="list-style-type: none"><li>• Controleer de bekabeling tussen de SlimStone-X en de SwitchStone-STD. Wanneer de SlimStone-X niet met de SwitchStone-STD kan communiceren, knipperen alle leds van links naar rechts.</li></ul>
<ul style="list-style-type: none"><li>• De verlichting van de SlimStone-X is uit na het drukken op een toets</li></ul>	<ul style="list-style-type: none"><li>• Controleer de aansluiting voor de stroomtoevoer</li></ul>
<ul style="list-style-type: none"><li>• De SlimStone-X reageert niet na het invoeren van de code</li></ul>	<ul style="list-style-type: none"><li>• Het invoeren van een code moet altijd bevestigd worden met [#]</li></ul>
<ul style="list-style-type: none"><li>• De lichten knipperen na het invoeren van de pincode en de bevestiging met [#]</li></ul>	<ul style="list-style-type: none"><li>• De ingevoerde code komt niet overeen met een van de geregistreerde codes. Zie 8</li></ul>

## 16. VEELGESTELDE VRAGEN

QUESTION	ANSWER
<ul style="list-style-type: none"><li>• Is het klavier verwarmd?</li></ul>	<ul style="list-style-type: none"><li>• Ja, de SlimStone-X heeft een afgestemd verwarmingssysteem dat de toetsen vorstvrij houdt</li></ul>
<ul style="list-style-type: none"><li>• Hoe weersbestendig is de SlimStone-X?</li></ul>	<ul style="list-style-type: none"><li>• Het ontwerp van de SlimStone-X voldoet aan norm IP68</li></ul>



Een afgedankt product kan naar de verdeler of naar Locinox worden geretourneerd. De recyclingbijdrage van dit product bedraagt € 0,2.



De WEEE-markering op het product geeft aan dat het niet met het gewone huishoudelijk afval mag worden weggegooid en dat het product naar een specifiek inzamelpunt moet worden gebracht voor recycling van elektrische en elektronische afgedankte producten



Als fabrikant van dit product garanderen we u dat we alle nodige stappen ondernomen hebben om te voldoen aan de huidige veiligheidsvereisten voor dit product.

# Félicitations pour l'achat de votre SlimStone-X

## 1. DESCRIPTION DU PRODUIT

Le SlimStone-X est un clavier à codes robuste et résistant aux intempéries, équipé d'un éclairage à LED. Le clavier à codes se démarque par sa durabilité. Le SlimStone-X a été développé et testé pour être utilisé dans les conditions météorologiques les plus extrêmes et garantit ainsi un contrôle d'accès permanent en toutes circonstances.

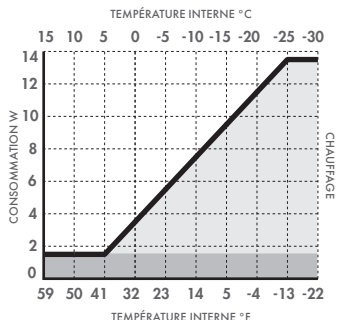
Le SlimStone-X doit être combiné avec le SwitchStone-STD. Il est possible d'associer au maximum 4 SlimStone-X et 4 SwitchStone-STD dans le même réseau. Il s'agit d'un module de relais à 2 canaux, contenant un contact commun, un contact normalement ouvert et un contact normalement fermé pour chaque relais. Les deux relais peuvent être utilisés pour commander des appareils Locinox ou d'autres marques. Équipé du système innovant Quick-Fix, ce modèle est également accompagné de fixations alternatives pour le bois et la pierre.

Le SlimStone-X est constitué d'un boîtier en aluminium thermolaqué structuré et d'un clavier à touches en inox brossé.

Il permet de programmer jusqu'à 400 codes.

## 2. SPÉCIFICATIONS TECHNIQUES

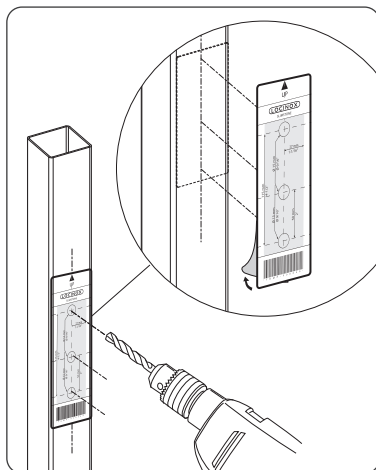
Température de fonctionnement	-30°C jusqu'à 85°C -22°F jusqu'à 185°F
Alimentation électrique	A utiliser en combinaison avec le Locinox PowerStone ou le Locinox DC-POWER 24V/25W
Longueur du câble	2 m
Indice IP	IP68
Consommation	1,5 W (> 5°C) + 12 W à chauffage max. (< -25°C)



## 3. MONTAGE

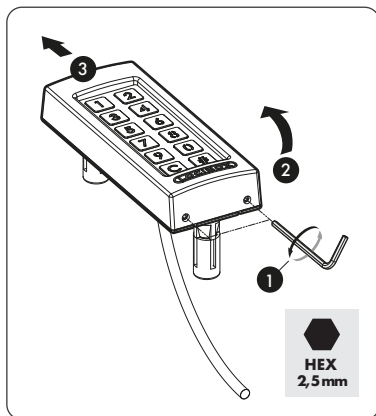
### ÉTAPE 1

Collez le gabarit et percez le mur ou le poteau (voir page 5)



### ÉTAPE 2

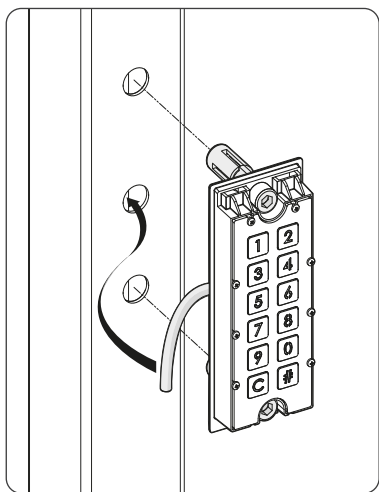
Retirez le capot du SlimStone-X



### ÉTAPE 3A

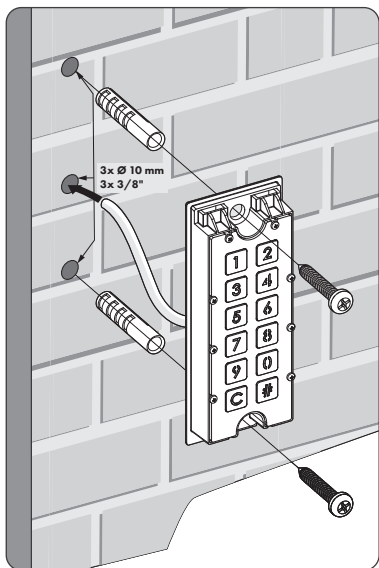
Passez le câble dans le poteau par le trou central

FR



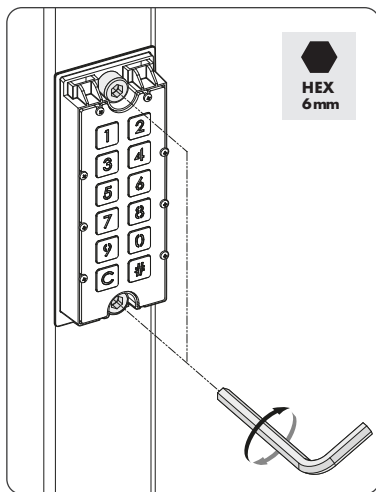
### ÉTAPE 3B

Passez le câble dans le mur par le trou central



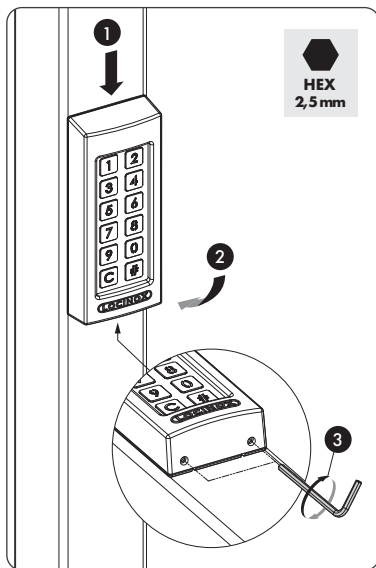
### ÉTAPE 4

Positionnez le SlimStone-X et serrez les deux fixations Quick-Fix



### ÉTAPE 5

Remplacez le couvercle et serrez les 2 vis en dessous





## 4. CÂBLAGE

Le SlimStone-X est équipé d'un câble de 2 m de long comprenant 2 conducteurs

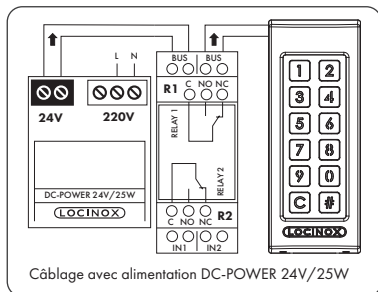
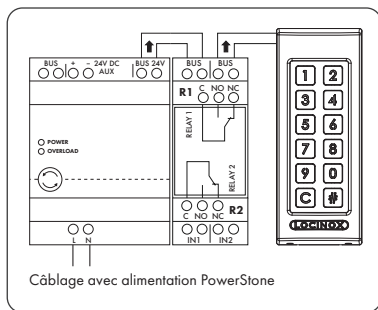
Consultez la p. 67 pour le schéma détaillé des connexions

### 4.1 CÂBLAGE DU SYSTÈME

Il convient d'utiliser exclusivement des câbles de cuivre pour le câblage du système. La section requise pour les câbles dépend de la distance maximale entre le bloc d'alimentation PowerStone / DC-POWER 24V/25W et le point le plus éloigné dans l'installation:

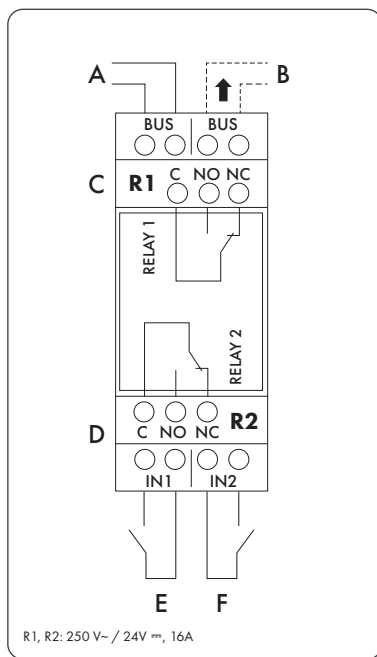
Distance maximale entre le PowerStone et le point le plus éloigné dans le réseau	Section de câble minimum
25 m	0.2 mm <sup>2</sup> (AWG 24)
100 m	0.75 mm <sup>2</sup> (AWG 24)
300 m	1.5 mm <sup>2</sup> (AWG 24)

Vous pouvez utiliser indifféremment le bloc d'alimentation PowerStone ou DC-POWER 24V/25W pour alimenter un réseau



**⚠** Les fils de bus n'ont pas de polarité : il n'est pas nécessaire de tenir compte de la polarité (+ ou -) lors du branchement des câbles

## 4.2 INSTRUCTIONS DE CÂBLAGE DÉTAILLÉES POUR LE SWITCHSTONE-STD



FR

### Alimentation électrique

A Arrivée de courant depuis le PowerStone ou le DC-POWER 24V/25W

### Sortie vers

B Câblage vers le SlimStone-X

### Relais

C Contact COM, NO et NC pour relais 1

D Contact COM, NO et NC pour relais 2

### Contact prioritaire

E Contact prioritaire pour relais 1

F Contact prioritaire pour relais 2

## 5. INSTALLATION DU SYSTÈME

- Raccordez le SlimStone-X au SwitchStone-STD comme exposé à l'étape précédente
- Après la mise sous tension, les chiffres [1] et [6] se mettent à clignoter sur le clavier (SlimStone-X) et le symbole [#] est allumé en continu. Sur la boîte à relais (SwitchStone-STD), toutes les LEDs tournent en cercle dans le sens inverse des aiguilles d'une montre
- Sélectionnez [1]

- Les touches [C] et [#] commencent à clignoter
- Lorsqu'un code PIN maître a été correctement saisi, tous les chiffres clignotent une fois de haut en bas
- Saisissez à nouveau le code Master PIN et appuyez sur [#] pour confirmer

**⚠** Si vous saisissez deux codes différents ou un code de longueur inappropriée, toutes les touches clignotent trois fois pour indiquer que la programmation du code n'a pas été enregistrée. Vous serez ramené à l'étape 1

- Lorsqu'un code PIN maître a été saisi correctement à deux reprises, tous les chiffres clignotent une fois de haut en bas
- Le SlimStone-X va maintenant détecter le SwitchStone-STD
- Une fois que le SlimStone-X s'est connecté avec succès au SwitchStone-STD, tous les voyants du SlimStone-X s'allument, ce qui indique qu'il est prêt à être utilisé. Sur le SwitchStone-STD, la LED « Power » s'allume en continu et la LED « Bus » clignote pour indiquer que la communication est bien établie avec le clavier

Si le SlimStone-X n'a pas pu détecter le SwitchStone-STD, un message d'erreur sera signalé par un clignotement rapide gauche-droite des voyants du clavier. Vous serez ramené au début de la procédure. Veuillez dans ce cas réessayer l'opération

**⚠** S'il ne s'agit pas d'une nouvelle configuration et si vous souhaitez ajouter un nouveau clavier à une installation existante, appuyez sur [6] et saisissez le code PIN maître

## 6. CONTACT PRIORITAIRE

- Il est possible de connecter un bouton externe ou un émetteur de signal pour activer les relais (par exemple, un interphone ou un bouton de sortie libre). Ce bouton/émetteur aura la priorité sur le code PIN
- Pour activer le relais 1, connectez le contact NO du bouton externe pour le relais 1 entre les 2 bornes de « E »
- Pour activer le relais 2, connectez le contact NO du bouton externe pour le relais 2 entre les 2 bornes de « F »
- Pour plus d'informations sur les contacts prioritaires, consultez le schéma à la page 67

**⚠** Attention ! Il doit s'agir d'un contact sec avec fonctionnement NO

- La LED « IN » correspondante sur le SwitchStone-STD s'allume lorsque la saisie de la commande est activée. Le réglage par défaut du temps de relais est de 8 secondes

## 7. PROGRAMMATION

### 7.1 ACCÈS AU MODE DE PROGRAMMATION

- Appuyez sur [#] pendant 5 secondes, [C] et [#] vont se mettre à clignoter
- Saisissez le code PIN maître qui a été défini pendant le processus d'installation et confirmez avec [#]. Les chiffres des options du menu et le bouton d'annulation [C] se mettent à clignoter
- Si le code Master PIN saisi est erroné, le mode de programmation se ferme et la procédure de temporisation décrite au point 10.2 démarre
- Sélectionnez un menu et confirmez votre choix avec la touche [#]. Les menus suivants sont disponibles:
  - [1] ▶ Gérer les codes PIN
  - [2] ▶ Régler le temps de maintien du relais
  - [5] ▶ Régler le mode d'éclairage
  - [7] ▶ Envoyer une demande d'association
  - [8] ▶ Retirer un dispositif du réseau

Consultez la section suivante pour plus d'informations

**✎** Le mode de programmation se ferme automatiquement après 60 secondes d'inactivité

- Après la sélection d'un menu, il est possible de revenir au menu principal en appuyant sur la touche [C]
- Appuyez sur la touche [C] pendant 5 secondes pour quitter le mode de programmation

### 7.2 GESTION DU CODE PIN [1]

- Passez en mode de programmation (voir 7.1)

**⚠** Vous pouvez programmer jusqu'à 400 codes PIN différents (de 4 à 8 chiffres)

- Appuyez sur la touche [1] et confirmez avec la touche [#]
- Les touches [1] et [#] s'allument tous les deux
- Entrez un nouveau code PIN et confirmez avec la touche [#]
- Dans le cas d'un nouveau code, vous devez répéter ce code et le confirmer avec [#]
- Le SwitchStone intègre 2 relais. Il est possible de connecter jusqu'à 4 SwitchStones dans le même réseau en bus, soit 8 relais au total. Chaque relais est représenté par un numéro sur le clavier
- Sélectionnez le(s) numéro(s) de relais que vous souhaitez commander avec le code PIN saisi. Une lumière clignotante signifie que l'élément est désélectionné, tandis qu'une lumière continue signifie que l'élément est sélectionné
- Confirmez l'opération en appuyant sur la touche [#]
- Tous les chiffres clignotent une fois de haut en bas

- Vous revenez au menu principal du mode de programmation. Les chiffres des options du menu et le bouton d'annulation [C] se mettent à clignoter

**⚠** Si vous saisissez deux codes différents ou un code de longueur inappropriée, toutes les touches clignotent trois fois pour indiquer que la programmation du code n'a pas été enregistrée. Veuillez réessayer. La touche [1] reste allumée

**✎** Un code peut être supprimé en désélectionnant tous les numéros de relais avant la confirmation

### 7.3 RÉGLAGE DU TEMPS DE MAINTIEN DU RELAIS [2]

- Passez en mode de programmation (voir 7.1)
- Appuyez sur [2] et confirmez avec [#]
- Les chiffres des numéros des relais disponibles commencent à clignoter. Appuyez sur le numéro du relais que vous voulez configurer et confirmez avec [#]
- Choisissez la durée de commutation souhaitée:
  - une valeur entre 1 et 98 pour un relais temporisé (= le relais reste actif pendant le nombre de secondes spécifié)
  - « 0 » pour le mode d'impulsion (= le relais est activé pendant 500 ms)
  - « 99 » pour le mode bistable (= le relais reste activé jusqu'à ce qu'un autre code soit saisi)
- Saisissez une valeur entre 0 et 99 et confirmez avec la touche [#]. L'enregistrement de votre choix est confirmé par un clignotement unique de tous les témoins
- Vous retournez au menu principal

**⚠** Si une durée non valide est saisie, toutes les touches clignoteront trois fois. Le menu [3] reste activé

**✎** La durée par défaut est réglée sur 8 secondes

### 7.4 RÉGLAGE DU MODE D'ÉCLAIRAGE [5]

- Passez en mode de programmation (voir 7.1)
- Appuyez sur la touche [5] et confirmez avec la touche [#]
- Il existe 3 modes d'éclairage. Le numéro du mode sélectionné est allumé en continu
- Choisissez le mode d'éclairage souhaité:
  - [1] Toujours allumé (20% de luminosité)
  - [2] Toujours allumé (luminosité maximale)
  - [3] Auto-dim (par défaut)  
La luminosité de l'éclairage est réduite à 20% après 45 secondes d'inactivité. Dès que l'on appuie sur une touche, l'éclairage revient à une luminosité maximale pendant 45 secondes minimum

[3] Auto-off :  
L'éclairage est désactivé après 45 secondes d'inactivité. Dès que l'on appuie sur une touche, l'éclairage se rallume pendant 45 secondes minimum

- Appuyez sur [1], [2] ou [3] et confirmez avec [#]. Tous les chiffres clignotent de haut en bas pour confirmer que votre choix est correctement enregistré

Vous revenez au menu principal du mode de programmation. Les chiffres des options du menu et le bouton d'annulation [C] se mettent à clignoter

**⚠** Les options de menu 7 et 8 sont utilisées pour configurer des réseaux avec plusieurs SlimStone-X et/ou plusieurs SwitchStone-STD. Veuillez suivre le lien suivant pour plus d'informations sur la configuration d'un réseau multi-appareils:



### 7.5 ENVOYER UNE DEMANDE D'ASSOCIATION [7]

- Accédez au mode de programmation (voir 7.1)
- Appuyez sur [7] et confirmez avec [#]
- Saisissez le numéro de série du dispositif non configuré ou ne saisissez aucun numéro de série pour associer tous les dispositifs connectés et non configurés
- Appuyez sur [#] pour confirmer

### 7.6 RETIRER UN DISPOSITIF DU RÉSEAU [8]

- Accédez au mode de programmation (voir 7.1)
- Appuyez sur [8] et confirmez avec [#]
- Saisissez le numéro de série du dispositif que vous souhaitez retirer du réseau ou ne saisissez aucun numéro de série pour retirer tous les dispositifs hors ligne
- Appuyez sur [#] pour confirmer

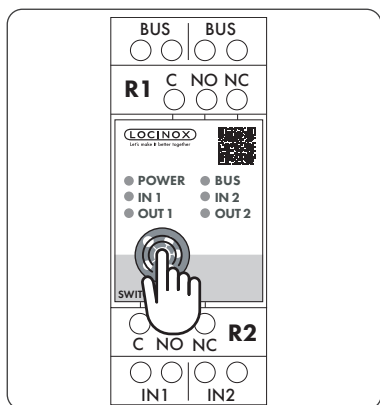
**⚠** Les appareils supprimés ne peuvent plus être joints dans un réseau existant. Un redémarrage complet de SwitchStone-STD et SlimStone-X est nécessaire et un nouveau réseau doit être créé

## 8. RÉINITIALISATION D'USINE EN CAS DE PERTE DU CODE MASTER PIN

Si vous avez perdu ou oublié le code Master PIN, vous devez réinitialiser à la fois le SwitchStone-STD et le SlimStone-X. Les procédures détaillées sont décrites aux sections 8.1 et 8.2. Une fois que les deux appareils ont été réinitialisés, répétez la procédure d'installation du système comme décrit à la section 5

### 8.1 RÉINITIALISATION D'UN SWITCHSTONE-STD

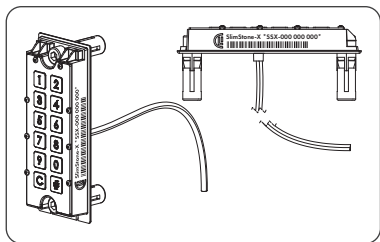
- Exercez un appui long sur le bouton de réinitialisation pendant 5 secondes pour réinitialiser le SwitchStone-STD



- Une fois la réinitialisation terminée, tous les témoins clignotent sauf le témoin d'alimentation

### 8.2 RÉINITIALISATION D'UN SLIMSTONE-X

Notez le numéro de série à 9 chiffres qui se trouve sur le côté du SlimStone-X



- Appuyez sur la touche [C] pendant 5 secondes
- [C] et [#] commencent à clignoter
- Saisissez le numéro de série à 9 chiffres du clavier
- Confirmez l'opération en appuyant sur la touche [#]
- Si la réinitialisation a réussi, [1] ou [6] se met à clignoter tandis que [#] reste allumé

- [1] Créez un nouveau réseau  
Procédez comme indiqué au paragraphe 5
- [6] Associez l'appareil à un réseau existant  
Saisissez le code PIN maître du réseau pour ajouter le SlimStone-X. Un message d'erreur s'affiche (clignotement gauche-droite) si aucune configuration réseau n'est disponible

Si vous voulez créer un nouveau réseau, il faut d'abord réinitialiser le SwitchStone-STD

## 9. REMPLACEMENT D'UN SLIMSTONE-X

- Retirez physiquement le SlimStone-X du réseau
- Raccordez physiquement le nouveau SlimStone-X au réseau
- Après la mise sous tension, les chiffres [1] et [6] se mettent à clignoter sur le clavier (SlimStone-X) et le symbole [#] est allumé en continu. Si cette séquence n'apparaît pas, veuillez réinitialiser le clavier avant de poursuivre, conformément à la procédure décrite au paragraphe 8.2.
- Sélectionnez [6]
- Saisissez le code PIN maître, appuyez sur [#] pour confirmer
- Le SlimStone-X va maintenant essayer de se connecter au SwitchStone-STD. Ce processus peut prendre jusqu'à 10 secondes
- Si la procédure aboutit, le SlimStone-X passe en mode de fonctionnement normal. Si la procédure échoue, vérifiez le câblage et réessayez

## 10. FONCTIONNEMENT DU SLIMSTONE-X

Le processus d'installation, tel que décrit au paragraphe 5

### 10.1 SAISIE/UNCODÉCORRECT

- Saisissez un code PIN (de 4 à 8 chiffres)
- Confirmez l'opération en appuyant sur la touche [#]
- Si le code n'est valable que pour un relais, ce relais sera activé immédiatement
- Si le code PIN est valable pour plusieurs relais, les numéros des relais disponibles se mettent à clignoter. Appuyez sur un numéro pour activer le relais correspondant
- Le numéro du relais sélectionné et [C] s'allument. (Le temps de relais par défaut est de 8 secondes.)
- Le menu de sélection des relais disparaît au bout de 5 secondes. Les chiffres clignotent de haut en bas et le SlimStone-X est prêt à recevoir un nouveau code

## 10.2 SAISIE D'UN CODE INCORRECT

- Saisissez un code PIN incorrect
- Confirmez l'opération en appuyant sur la touche [#]
- Tous les voyants clignotent deux fois, ce qui indique que le code saisi est incorrect

## 11. REMPLACEMENT D'UN SWITCHSTONE-STD

- Retirez physiquement le SwitchStone-STD du réseau
- Raccordez physiquement le nouveau SwitchStone-STD au réseau
- Assurez-vous que le SwitchStone-STD est en état de réinitialisation (= toutes les LEDs clignotent dans le sens inverse des aiguilles d'une montre). S'il n'est pas en état de réinitialisation, consultez le chapitre 8.1 pour réinitialiser le SwitchStone-STD
- Passez en mode de programmation (voir 7.1)
- Sélectionnez [7] et appuyez sur [#] pour confirmer
- Le SlimStone-X ajoutera le SwitchStone-STD au réseau. Pendant cette procédure, la séquence d'attente s'exécute

## 15. AIDE AU DÉPANNAGE

PROBLÈME	SOLUTION
<ul style="list-style-type: none"><li>• Quand j'essaie d'ajouter un nouveau code PIN ou de modifier la durée d'un relais, j'obtiens toujours une erreur (clignotement gauche-droite)</li></ul>	<ul style="list-style-type: none"><li>• Vérifiez le câblage entre le SlimStone-X et le SwitchStone-STD. Lorsque le SlimStone-X ne peut pas communiquer avec le SwitchStone-STD, tous les voyants clignotent de gauche à droite</li></ul>
<ul style="list-style-type: none"><li>• L'éclairage du SlimStone-X s'éteint lorsqu'on appuie sur une touche</li></ul>	<ul style="list-style-type: none"><li>• Vérifiez le branchement de l'alimentation</li></ul>
<ul style="list-style-type: none"><li>• Le SlimStone-X ne réagit pas après la saisie d'un code</li></ul>	<ul style="list-style-type: none"><li>• La saisie d'un code doit toujours être confirmée avec la touche [#]</li></ul>
<ul style="list-style-type: none"><li>• Les témoins clignotent lorsqu'on saisit le code PIN et que l'on confirme avec la touche [#]</li></ul>	<ul style="list-style-type: none"><li>• Le code introduit ne correspond à aucun des codes enregistrés. Consultez la section 8</li></ul>

## 16. QUESTIONS FRÉQUEMMENT POSÉES

QUESTION	SOLUTION
<ul style="list-style-type: none"><li>• Le clavier est-il chauffé?</li></ul>	<ul style="list-style-type: none"><li>• Oui, le SlimStone-X intègre un système de chauffage régulé qui protège les touches du gel</li></ul>
<ul style="list-style-type: none"><li>• Dans quelle mesure le SlimStone-X résiste-t-il aux intempéries?</li></ul>	<ul style="list-style-type: none"><li>• Le SlimStone-X est conçu pour répondre aux critères de l'indice de protection IP68</li></ul>



Tout appareil mis au rebut peut être retourné au revendeur ou renvoyé à Locinox. La contribution de recyclage pour ce produit s'élève à 0,20 €.



Le marquage DEEE sur le produit indique qu'il ne peut pas être jeté avec d'autres déchets ménagers ordinaires et qu'il doit être déposé dans une déchetterie agréée pour le recyclage des déchets d'équipements électriques et électroniques.



En tant que fabricant de ce produit, nous garantissons avoir pris toutes les dispositions nécessaires pour être en conformité avec les normes de sécurité en vigueur pour ce type de produit.

**⚠** Si une durée non valide est saisie, toutes les touches clignoteront trois fois. Le menu [3] reste activé

## 12. ENTRETIEN

- Nettoyez le boîtier et l'écran à l'aide d'un chiffon doux, humidifié avec un nettoyant neutre
- N'utilisez jamais de l'essence ou un autre produit chimique car vous risqueriez d'endommager le boîtier

## 13. INFORMATIONS GÉNÉRALES

- Veuillez respecter les réglementations locales concernant la mise au rebut des matériaux d'emballage et des appareils arrivés en fin de vie. Nos emballages sont écologiques. Ils peuvent être séparés en 2 matériaux : carton (boîte) et polyester expansé (calage)
- Le produit que vous avez acheté est fabriqué à partir de matériaux recyclables

## 14. GARANTIE

Tous les composants électroniques sont couverts par une garantie de 2 ans

# Herzlichen Glückwunsch zum Kauf Ihrer SlimStone-X

## DE 1. PRODUKTBESCHREIBUNG

Die SlimStone-X ist eine robuste, wetterfeste Codetastatur mit integrierter LED-Beleuchtung. Die Tastatur ist hinsichtlich ihrer Langlebigkeit einzigartig. Die SlimStone-X wurde für ihren Einsatz in extremsten Wetterverhältnissen entwickelt und getestet und garantiert unter allen Bedingungen eine stabile Zugangskontrolle.

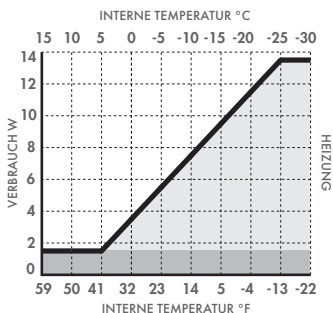
Der SlimStone-X sollte mit dem SwitchStone-STD kombiniert werden, wobei sich maximal 4 SlimStone-X und 4 SwitchStone-STD in demselben Netzwerk befinden dürfen. Dies ist ein 2-Kanal-Relaismodul, das für jedes Relais einen gemeinsamen Schließer (NO)- und Öffner (NC)-Kontakt enthält. Beide Relais können zur Steuerung von Locinox- oder Drittanbieter-Geräten verwendet werden. Ausgestattet mit dem innovativen Quick-Fix-System, werden zusätzlich auch alternative Befestigungssysteme für Holz und Stein mitgeliefert.

Die SlimStone-X besteht aus einem pulverbeschichteten Aluminiumgehäuse mit einem Tastenfeld und Drucktasten aus gebürstetem Edelstahl.

Es können bis zu 400 Codes programmiert werden.

## 2. TECHNISCHE SPEZIFIKATIONEN

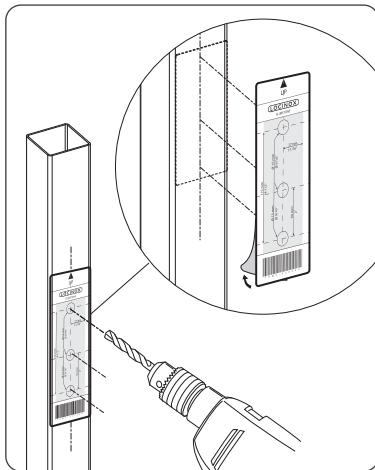
Betriebstemperatur	-30°C bis 85°C -22°F bis 185°F
Stromversorgung	Verwendung in Kombination mit dem Locinox PowerStone oder der Locinox DC POWER 24V/25W
Kabellänge	2 m
IP-Wert	IP68
Verbrauch	1,5 W (> 5°C) + 12 W bei max. Beheizung (< -25°C)



## 3. MONTAGE

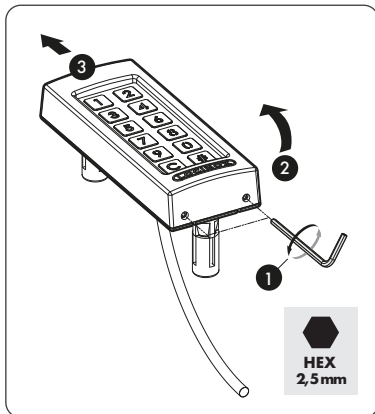
### SCHRITT 1

Kleben Sie die Schablone auf und bohren Sie in die Wand oder den Pfosten (siehe S. 5)



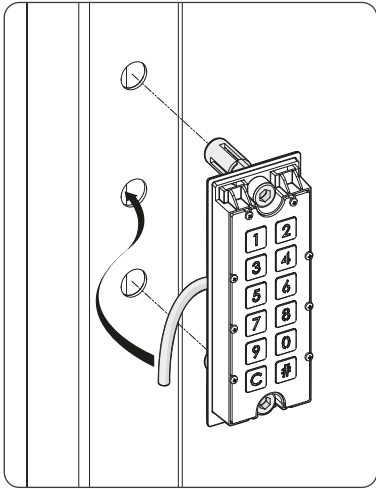
### SCHRITT 2

Nehmen Sie die Abdeckung der SlimStone-X ab



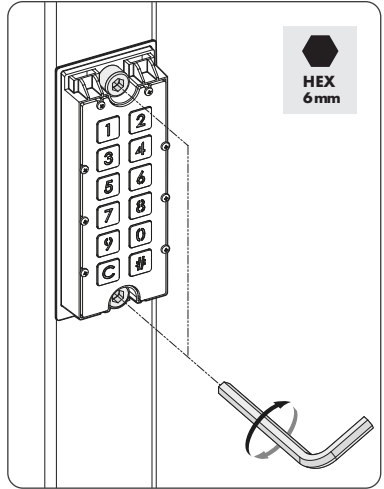
### SCHRITT 3A

Führen Sie das Kabel durch das mittlere Loch im Pfosten



### SCHRITT 4

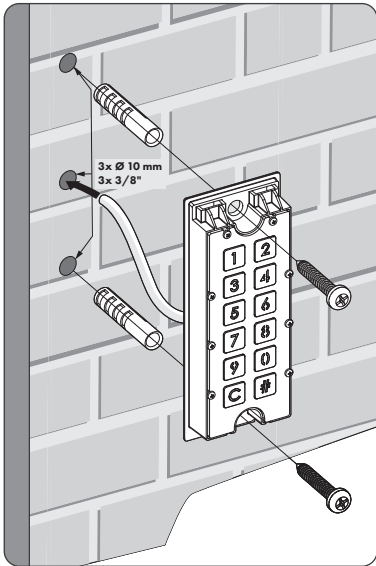
Positionieren Sie die SlimStone-X und ziehen Sie die beiden Quick-Fix-Schrauben fest an



DE

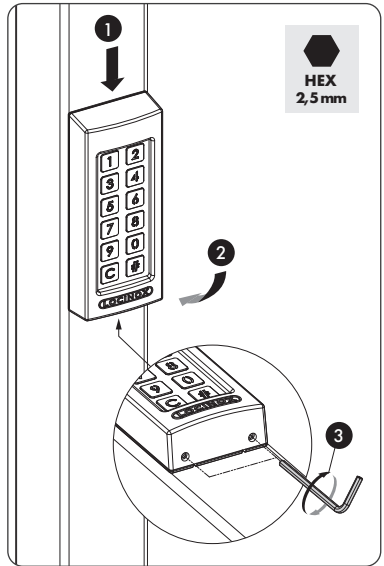
### SCHRITT 3B

Führen Sie das Kabel durch das mittlere Loch in der Wand



### SCHRITT 5

Setzen Sie die Abdeckung wieder auf und ziehen Sie die 2 Schrauben an der Unterseite fest



## 4. VERKABELUNG

Die SlimStone-X ist mit einem 2m langen, 2-adrigen Kabel ausgestattet

Einen detaillierten Anschlussplan finden Sie auf S. 67

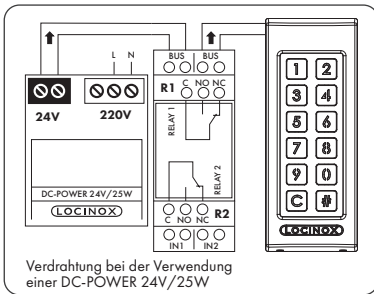
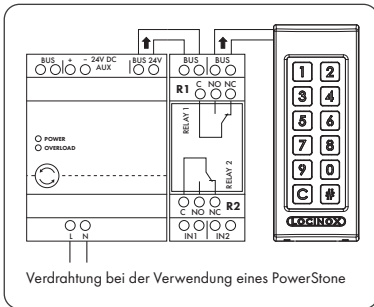
DE

### 4.1 SYSTEMVERKABELUNG

Für die Verkabelung des Systems sollten ausschließlich Kupferkabel verwendet werden. Der erforderliche Kabeldurchmesser hängt von der maximalen Entfernung zwischen dem PowerStone / DC-POWER 24V/25W und dem am weitesten entfernten Punkt der Anlage ab:

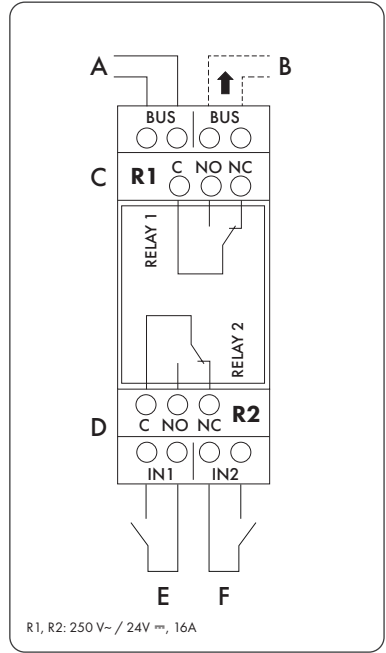
Maximale einfache Entfernung zwischen dem PowerStone und dem am weitesten entfernten Punkt im Netzwerk	Kabel-Mindestquerschnitt
25 m	0,2 mm <sup>2</sup>
100 m	0,75 mm <sup>2</sup>
300 m	1,5 mm <sup>2</sup>

Sowohl der PowerStone als auch die DC POWER 24V/25W können zur Stromversorgung eines Netzwerks verwendet werden



**⚠** Bus-Drähte haben keine Polarität: Beim Anschluss der Kabel muss die Polarität (+ oder -) nicht beachtet werden

## 4.2 DETAILIERTE VERDRÄHTUNG DES SWITCHSTONE-STD



### Stromversorgung

A Einspeisung vom PowerStone oder DC-POWER 24V/25W

### Ausgang

B Verdrahtung zur SlimStone-X

### Relais

C COM-, NO- und NC-Kontakt für Relais 1

D COM-, NO- und NC-Kontakt für Relais 2

### Steuereingang

E Steuereingang für Relais 1

F Steuereingang für Relais 2

## 5. INSTALLATION DES SYSTEMS

- Schließen Sie die SlimStone-X wie im vorherigen Schritt beschrieben - an das SwitchStone-STD an
- Nach dem Einschalten blinken die Tasten [1] und [6] auf dem Tastenfeld (SlimStone-X), und die Taste [#] leuchtet dauerhaft. Auf der Relaisbox (SwitchStone-STD) laufen alle LEDs gegen den Uhrzeigersinn im Kreis
- Wählen Sie [1]
- Die Tasten [C] und [#] beginnen zu blinken



- Wenn ein Master-PIN-Code korrekt eingegeben wurde, blinken alle Ziffern einmal von oben nach unten
- Geben Sie den Master-PIN-Code erneut ein und drücken Sie [#] zur Bestätigung

**⚠** Wenn zwei verschiedene Codes oder eine falsche Codelänge eingegeben werden, blinken alle Tasten 3-mal und zeigen damit an, dass die Codeeinstellung nicht gespeichert wurde. Sie kehren zu Schritt 1 zurück

- Wenn ein Master-PIN-Code zweimal korrekt eingegeben wurde, blinken alle Ziffern einmal von oben nach unten
- Die SlimStone-X erkennt nun das SwitchStone-STD
- Sobald die SlimStone-X erfolgreich mit dem SwitchStone-STD verbunden ist, leuchten alle Lichter an der SlimStone-X auf und zeigen damit an, dass sie betriebsbereit ist. Am SwitchStone-STD leuchtet die Power-LED dauerhaft und die Bus-LED blinkt, um die korrekte Kommunikation mit dem Tastenfeld anzuzeigen

Falls die SlimStone-X den SwitchStone-STD nicht erkennen konnte, wird eine Fehlermeldung durch schnelles Links-Rechts-Blinken der Tastenbeleuchtung angezeigt. Sie werden zum Beginn des Verfahrens zurückleitet. Bitte versuchen Sie es erneut

**⚠** Wenn es sich nicht um eine neue Konfiguration handelt und Sie ein neues Bedienteil zu einer bestehenden Installation hinzufügen möchten, drücken Sie [6] und geben Sie den Master-PIN-Code ein

## 6. STEUEREINGÄNGE

- Es ist möglich, einen externen Taster oder Druckknopf anzuschließen, um die Relais zu aktivieren (z.B. eine Gegensprechanlage oder eine Freier-Ausgang-Taste). Diese Taste bzw. dieser Druckknopf hat Vorrang vor dem PIN-Code
- Um Relais 1 zu aktivieren, schließen Sie den Schließer (NO)-Kontakt des externen Tasters für Relais 1 zwischen den beiden Klemmen von 'E' an
- Um Relais 2 zu aktivieren, schließen Sie den Schließer (NO)-Kontakt des externen Tasters für Relais 2 zwischen den beiden Klemmen von 'F' an
- Für weitere Details zu den Steuereingängen, siehe den Plan auf Seite 67

**⚠** Achtung! Dies muss ein spannungsfreier Kontakt mit NO-Funktion sein

- Die entsprechende „IN“-LED am SwitchStone-STD leuchtet, wenn der Steuereingang aktiviert ist. Die Standardeinstellung für die Relaiszeit beträgt 8 Sekunden

## 7. PROGRAMMIERUNG

### 7.1 ZUGRIFF AUF DEN PROGRAMMIERMODUS

- Drücken Sie 5 Sekunden lang die Taste [#]. Die Tasten [C] und [#] fangen an zu blinken
- Geben Sie den Master-PIN-Code ein, der während des Installationsprozesses eingerichtet wurde, und bestätigen Sie mit [#]. Die Ziffern der Menüoptionen und die Abbruchtaste [C] beginnen nun zu blinken
- Bei Eingabe eines falschen Master-PIN-Codes wird der Programmiermodus geschlossen und die Wartezeit beginnt, wie in 10.2 beschrieben
- Wählen Sie ein Menü aus und bestätigen Sie es mit [#]. Die folgenden Menüs sind verfügbar:

- [1] ▶ PIN-Codes verwalten
- [2] ▶ Relais-Haltezeit einstellen
- [5] ▶ Beleuchtungsmodus einstellen
- [7] ▶ Verbindungsanfrage senden
- [8] ▶ Gerät aus dem Netz entfernen

Ausführliche Informationen finden Sie im nächsten Abschnitt.

**✎** Der Programmiermodus endet automatisch, wenn 60 Sekunden lang keine Aktivität erfolgt

- Nach der Auswahl eines Menüs können Sie durch Drücken der Taste [C] in das Hauptmenü zurückkehren
- Drücken Sie [C] für 5 Sekunden, um den Programmiermodus zu verlassen

### 7.2 PIN-CODE VERWALTEN [1]

- Rufen Sie den Programmiermodus auf (s. 7.1)

**⚠** Es können maximal 400 verschiedene PIN-Codes programmiert werden (4-8 Ziffern)

- Drücken Sie [1] und bestätigen Sie mit [#]
- Sowohl [1] als auch [#] leuchten auf
- Geben Sie einen neuen PIN-Code ein und bestätigen Sie mit [#]. Wenn der Code akzeptiert wird, blinken alle Ziffern einmal von oben nach unten
- Im Fall eines neuen Codes muss der Code wiederholt und mit [#] bestätigt werden
- Der SwitchStone wird mit 2 Relais geliefert. Es können bis zu 4 SwitchStones im selben Busnetzwerk angeschlossen werden, also insgesamt 8 Relais. Jedes Relais wird durch eine Nummer auf dem Tastenfeld dargestellt
- Wählen Sie die Relaisnummer(n), die Sie mit dem eingegebenen PIN-Code steuern möchten. Blinkendes Licht bedeutet ausgewählt, dauerhaftes Leuchten bedeutet gewählt
- Drücken Sie [#] zum Bestätigen

- Alle Ziffern blinken einmal von oben nach unten
- Sie kehren in das Hauptmenü des Programmiermodus zurück. Die Ziffern der Menüoptionen und die Abbruchtaste [C] beginnen zu blinken

DE

**⚠** Wenn zwei verschiedene Codes oder eine falsche Codelänge eingegeben werden, blinken alle Tasten 3-mal und zeigen damit an, dass die Codeeinstellung nicht gespeichert wurde. Versuchen Sie es erneut. Die Taste [1] leuchtet weiter

**✎** Ein Code kann entfernt werden, indem man alle Relaisziffern abwählt

### 7.3 HALTEZEIT RELAIS EINSTELLEN [2]

- Rufen Sie den Programmiermodus auf (s. 7.1)
- Drücken Sie [2] und bestätigen Sie mit [#]
- Die Ziffern der verfügbaren Relais beginnen zu blinken. Drücken Sie die Relaisnummer, die Sie konfigurieren möchten, und bestätigen Sie mit [#]
- Wählen Sie die gewünschte Schaltdauer:
  - ein Wert zwischen 1 und 98 für ein zeitgesteuertes Relais (= Relais bleibt für die gewählte Anzahl von Sekunden aktiv)
  - '0' für Impulsbetrieb (= das Relais wird für 500 ms aktiviert)
  - '99' für bistabilen Modus (= das Relais bleibt aktiviert, bis ein anderer Code eingegeben wird)
- Geben Sie einen Wert zwischen 0 und 99 ein, und bestätigen Sie mit [#]. Wenn alle LEDs blinken, wird Ihre Wahl gespeichert
- Sie kehren zum Hauptmenü zurück

**⚠** Falls eine ungültige Zeit eingegeben wird, blinken alle Tasten 3-mal. Menü [3] bleibt aktiviert

**✎** Die standardmäßig eingestellte Zeit beträgt 8 Sekunden

### 7.4 BELEUCHTUNGSMODUS EINSTELLEN [5]

- Rufen Sie den Programmiermodus auf (s. 7.1)
- Drücken Sie [5] und bestätigen Sie mit [#]
- Es gibt 3 Beleuchtungsmodi. Die Nummer des gewählten Modus leuchtet permanent
- Wählen Sie den gewünschten Beleuchtungsmodus:
  - [1] Immer gedimmt (20% Helligkeit)
  - [2] Immer eingeschaltet (volle Helligkeit)

[3] Auto-Dimmen (Standard):  
Die Helligkeit der Beleuchtung wird nach 45 Sekunden Inaktivität auf 20 % gedimmt. Sobald eine beliebige Taste gedrückt wird, schaltet die Beleuchtung 45 Sekunden lang wieder auf volle Beleuchtungsstärke zurück

- Drücken Sie [1], [2] oder [3] und bestätigen Sie mit [#]. Wenn alle Ziffern von oben nach unten blinken, ist Ihre Wahl korrekt gespeichert
- Sie kehren in das Hauptmenü des Programmiermodus zurück. Die Ziffern der Menüoptionen und die Abbruchtaste [C] beginnen zu blinken

**⚠** Menüoptionen 7 und 8 werden benutzt um Netzwerke mit mehreren SlimStone-X und/oder mehreren SwitchStone-STD zu konfigurieren. Bitte benutzen Sie den Link für weitere Informationen über die Konfiguration eines Multigeräte-Netzwerk:



### 7.5 VERBINDUNGSANFRAGE SENDEN [7]

- Rufen Sie den Programmiermodus auf (s. 7.1)
- Drücken Sie [7] und bestätigen Sie mit [#]
- Geben Sie die Seriennummer des nicht konfigurierten Geräts ein oder geben Sie keine Seriennummer ein, um alle angeschlossenen und unkonfigurierten Geräte zu verbinden
- Drücken Sie [#] zum Bestätigen

### 7.6 GERÄT AUS DEM NETZWERK ENTFERNEN [8]

- Rufen Sie den Programmiermodus auf (s. 7.1)
- Drücken Sie [8] und bestätigen Sie mit [#]
- Geben Sie die Seriennummer des Geräts ein, das Sie aus dem Netzwerk entfernen möchten, oder geben Sie keine Seriennummer ein, um alle Offline-Geräte zu entfernen
- Drücken Sie [#] zum Bestätigen

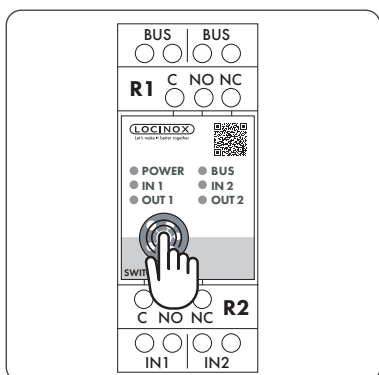
**⚠** Die entfernten Geräte können nicht mehr in ein bestehendes Netzwerk eingebunden werden. Ein kompletter Neustart von SwitchStone-STD und SlimStone-X ist erforderlich und ein neues Netzwerk muss erstellt werden

## 8. ZURÜCKSETZEN AUF WERKSEINSTELLUNGEN BEI VERLUST DES MASTER PIN-CODES

Wenn die Master PIN verloren geht, müssen sowohl das SwitchStone-STD als auch die SlimStone-X zurückgesetzt werden. Die detaillierte Vorgehensweise wird in Abschnitt 8.1 und 8.2 beschrieben. Nachdem beide Geräte zurückgesetzt wurden, wiederholen Sie den Prozess der Systeminstallation, wie in Abschnitt 5 beschrieben

### 8.1 ZURÜCKSETZEN EINES SWITCHSTONE-STD

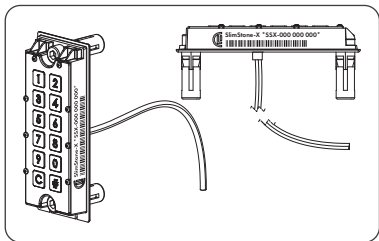
- Drücken Sie die Reset-Taste und halten Sie sie 5 Sekunden lang gedrückt, um das SwitchStone-STD zurückzusetzen



- Sobald der Reset abgeschlossen ist, blinken alle LEDs außer der Power-LED

### 8.2 ZURÜCKSETZEN EINER SLIMSTONE-X

Notieren Sie sich die 9-stellige Seriennummer, die Sie an der Seite der SlimStone-X finden



- Drücken und halten Sie [C] für 5 Sekunden
- [C] und [#] beginnen zu blinken
- Geben Sie die 9-stellige Seriennummer der Tastatur ein
- Drücken Sie [#] zum Bestätigen

- Wenn der Reset erfolgreich war, beginnt [1] oder [6] zu blinken, während [#] dauerhaft leuchtet

- [1] Alle Geräte wurden auf Werkseinstellungen zurückgesetzt. Erstellen Sie ein neues Netzwerk wie beschrieben in Absatz 5
- [6] Mit einem bestehenden Netz verbinden. Geben Sie die Master-PIN des Netzwerks ein und die SlimStone-X wird hinzugefügt. Eine Fehlermeldung wird angezeigt (LinksRechts-Blinken)

Wenn Sie ein neues Netzwerk erstellen möchten, muss der SwitchStone-STD ebenfalls zuerst zurückgesetzt werden

## 9. SLIMSTONE-X AUSTAUSCHEN

- Entfernen Sie die SlimStone-X physisch aus dem Netzwerk
- Schließen Sie die SlimStone-X physisch an das Netzwerk an
- Nach dem Einschalten blinken die Tasten [1] und [6] auf dem Tastenfeld (SlimStone-X), und die Taste [#] leuchtet dauerhaft. Falls dieses Muster nicht angezeigt wird, setzen Sie bitte, bevor Sie fortfahren, das Tastenfeld gemäß der in Abschnitt 8.2 beschriebenen Vorgehensweise zurück
- Wählen Sie [6], [#] blinkt
- Geben Sie den Master-PIN-Code ein und drücken Sie [#] zur Bestätigung
- Die SlimStone-X versucht nun, sich mit dem SwitchStone-STD zu verbinden. Dieser Vorgang kann bis zu 10 Sekunden dauern
- Gelingt dies, wechselt die SlimStone-X in den normalen Betriebsmodus. Kann keine Verbindung hergestellt werden, überprüfen Sie die Verkabelung und versuchen Sie es erneut wenn keine Netzwerkconfiguration verfügbar ist

## 10. FUNKTIONSWEISE DER SLIMSTONE-X

Installationsverfahren, wie in Abschnitt 5 beschrieben

### 10.1 ENGABENESKORREKTION CODES

- Geben Sie einen PIN-Code ein (mind. 4 - max. 8 Ziffern)
- Drücken Sie [#] zum Bestätigen
- Wenn der Code nur für 1 Relais gültig ist, wird das Relais sofort aktiviert
- Wenn der PIN-Code für mehrere Relais gültig ist, blinken die Nummern der verfügbaren Relais. Drücken Sie eine Zahl, um das entsprechende Relais zu aktivieren
- Die gewählte Relaisnummer und [C] leuchten auf. (Standard-Relaiszeit ist 8 Sekunden.)
- Das Menü zur Relaisauswahl wird nach 5 Sekunden ausgeblendet. Die Ziffern blinken von oben nach unten und die SlimStone-X ist bereit für einen neuen Code

## 10.2 EINGABE EINES FALSCHEN CODES

- Geben Sie einen falschen PIN-Code ein
- Drücken Sie [#] zum Bestätigen
- Alle Leuchten blinken zweimal und zeigen damit an, dass ein falscher Code eingegeben wurde

## 11. SWITCHSTONE-STD AUSTAUSCHEN

- Entfernen Sie das SwitchStone-STD physisch aus dem Netzwerk
- Montieren Sie das neue SwitchStone-STD und schließen Sie es an
- Stellen Sie sicher, dass sich das SwitchStone-STD im Reset-Status befindet (= alle LEDs blinken, außer Power). Falls es sich nicht im Reset-Status befindet, siehe Kapitel 8.1, um das SwitchStone-STD zurückzusetzen
- Rufen Sie den Programmiermodus auf (s. 7.1)
- Wählen Sie [7] und bestätigen Sie mit [#]
- Der SlimStone-X fügt den SwitchStone-STD dem Netzwerk hinzu

**⚠** Falls der SwitchStone-STD nicht gefunden wurde, Falls der SwitchStone-STD nicht gefunden wurde, bekommen Sie eine Fehlermeldung durch das Links-Rechts-Blinken der LEDs auf der Tastatur

## 12. WARTUNG

- Reinigen Sie das Gehäuse und das Display mit einem weichen Tuch, das mit einem neutralen Reinigungsmittel angefeuchtet ist
- Verwenden Sie niemals Benzin oder Chemikalien am Gerät, da diese das Gehäuse beschädigen können

## 13. ALLGEMEINE INFORMATIONEN

- Bitte beachten Sie die örtlichen Vorschriften zur Entsorgung von Verpackungsmaterial und von nicht mehr benutzten Geräten. Unser Verpackungsmaterial ist umweltfreundlich. Es lässt sich in 2 Materialien unterteilen: Karton (Schachtel) und dehnbare Polyester (Polster)
- Ihr Gerät besteht aus recycelbaren Materialien

## 14. GARANTIE

Auf die gesamte Elektronik gewähren wir 2 Jahre Garantie

## 15. FEHLERBEHEBUNG

PROBLEM	LÖSUNG
• Wenn ich versuche, einen neuen PIN-Code hinzuzufügen oder die Zeiten eines Relais zu ändern, erhalte ich immer eine Fehlermeldung (links-rechts blinkend)	• Überprüfen Sie die Verkabelung zwischen der SlimStone-X und dem SwitchStone-STD. Wenn die SlimStone-X nicht mit dem SwitchStone-STD kommunizieren kann, blinken alle LEDs von links nach rechts
• Die SlimStone-X-Beleuchtung ist nach dem Drücken einer Taste ausgeschaltet	• Überprüfen Sie den Anschluss an die Stromversorgung
• Die SlimStone-X reagiert nach der Eingabe des Codes nicht	• Die Eingabe eines Codes muss immer mit [#] bestätigt werden
• Die Beleuchtung blinkt nach Eingabe des PIN-Codes und Bestätigung mit [#]	• Der eingegebene Code stimmt mit keinem der registrierten Codes überein. Siehe 8

## 16. HÄUFIG GESTELLTE FRAGEN

FRAGE	ANTWORT
• Ist die Tastatur beheizt?	• Ja, die SlimStone-X ist mit einem geregelten Heizsystem ausgestattet, das die Tasten frostfrei hält
• Wie wetterfest ist die SlimStone-X?	• Die SlimStone-X ist so konstruiert, dass sie die IP68-Norm erfüllt



Ein ausgedientes Gerät kann entweder bei Ihrem Händler abgegeben oder an Locinox zurückgeschickt werden. Der Recyclingbeitrag für dieses Produkt beträgt € 0,2.



Die WEE-Kennzeichnung auf dem Produkt weist darauf hin, dass es nicht zusammen mit dem normalen Hausmüll entsorgt werden darf und bei einer ausgewiesenen Sammelstelle für das Recycling von Elektro- und Elektronikschrott abgegeben werden muss.



Als Hersteller dieses Produkts garantieren wir, dass wir alle notwendigen Schritte unternommen haben, um die aktuellen Sicherheitsanforderungen für dieses Produkt zu erfüllen.

DE

# Enhorabuena por la compra de su SlimStone-X

## ES 1. DESCRIPCIÓN DEL PRODUCTO

SlimStone-X es un teclado fuerte y resistente a cualquier tipo de condiciones meteorológicas con luz LED integrada. Este teclado es único por su durabilidad. Desarrollado y testado para ser utilizado en condiciones meteorológicas extremas, SlimStone-X garantiza un control de acceso en cualquier circunstancia.

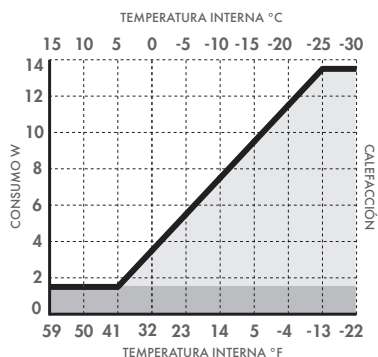
El teclado SlimStone-X debe combinarse con el SwitchStone-STD hasta un máximo de 4 SlimStone-X y 4 SwitchStone-STD en la misma red. Se trata de un módulo de relés de 2 canales, con un contacto común normalmente abierto y un contacto normalmente cerrado para cada relé. Ambos relés se pueden utilizar para controlar dispositivos Locinox o de terceros fabricantes. Equipado con el innovador Quick-Fix, también se suministran las fijaciones alternativas para madera y piedra.

El SlimStone-2 tiene una carcasa de aluminio con recubrimiento de polvo y un panel de teclas y botones de acero inoxidable pulido.

Se pueden programar hasta 400 códigos.

## 2. ESPECIFICACIONES TÉCNICAS

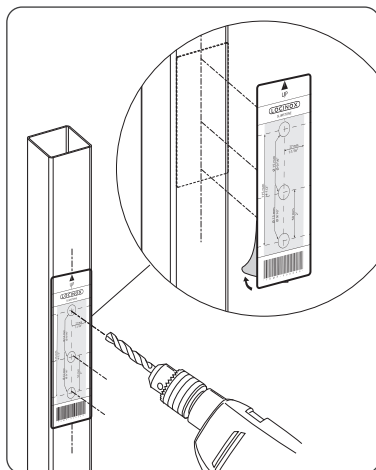
Temperatura de funcionamiento	-30 °C hasta 85 °C -22 °F hasta 185 °F
Fuente de alimentación	Utilizar en combinación con Locinox PowerStone o Locinox DC-POWER 24 V/25 W
Longitud del cable	2 m (6-1/2 ft)
Grado IP	IP68
Consumo	1,5 W (> 5 °C/41 °F) + 12 W a temperatura máx. (< -25 °C/ < -13 °F)



## 3. MONTAJE

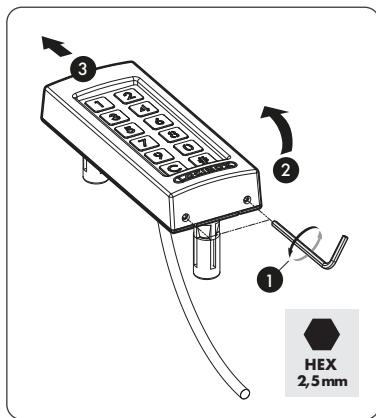
### PASO 1

Pegue la plantilla y perforo la pared o el poste (consulte la página 5)



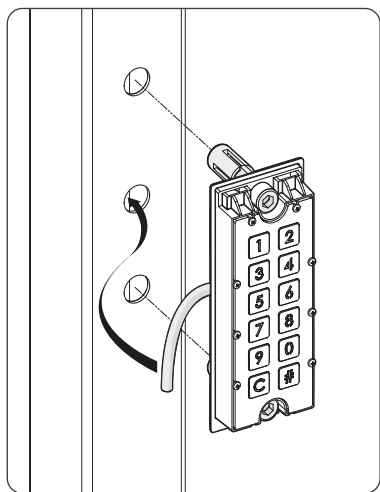
### PASO 2

Retire la tapa del SlimStone-X



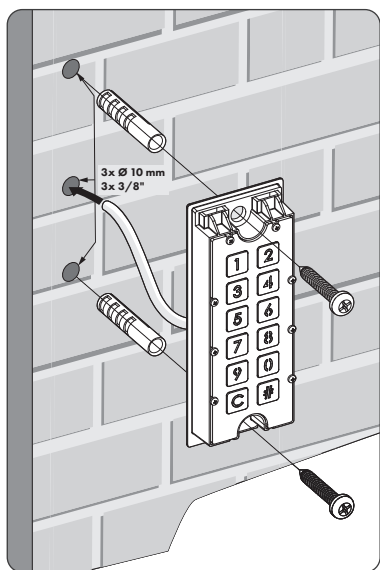
### PASO 3A

Pase el cable por el orificio del medio del poste



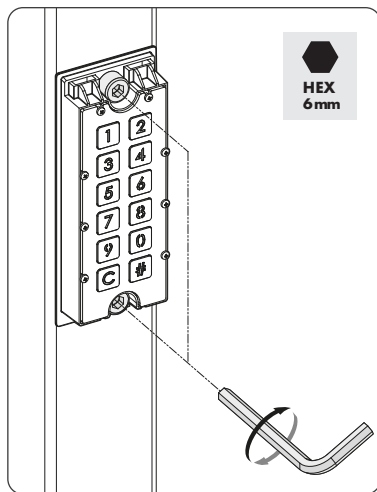
### PASO 3B

Pase el cable por el orificio del medio de la pared



### PASO 4

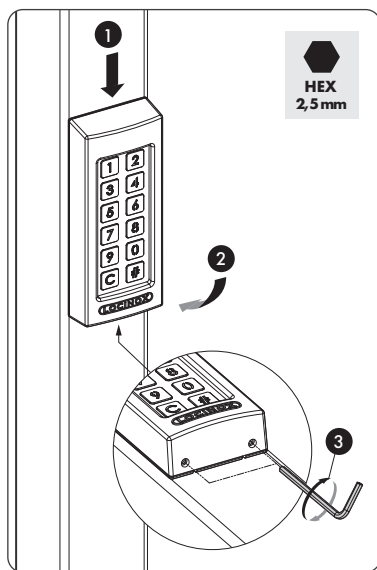
Posicione el SlimStone-X y apriete ambos Quick-Fix



ES

### PASO 5

Coloque la tapa y fíjela con los 2 tornillos de la parte inferior



## 4. CABLEADO

El SlimStone-X incorpora un cable de 2 hilos de 2 m de longitud

Consulte en la página 67 el esquema de conexión detallado

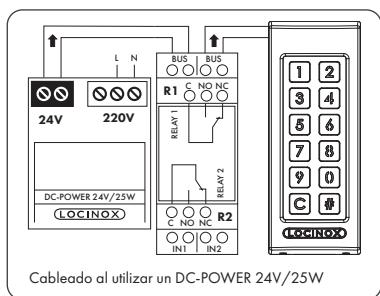
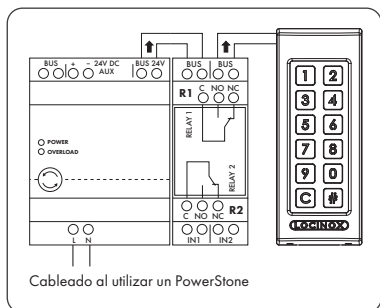
ES

### 4.1 CABLEADO DEL SISTEMA

Debe emplearse únicamente cableado de cobre para cablear el sistema. El diámetro del cable requerido depende de la distancia máxima existente entre el PowerStone/DC-POWER 24V/25W y el punto más alejado de la instalación:

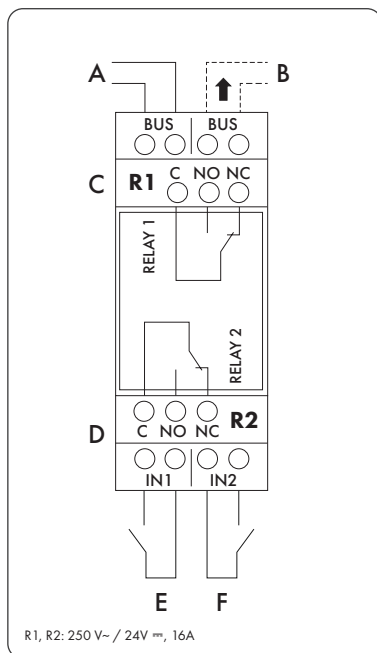
Distancia máxima unidireccional entre PowerStone y el punto más alejado de la red	Sección mínima del cable
25 m	0,2 mm <sup>2</sup> (AWG 24)
100 m	0,75 mm <sup>2</sup> (AWG 18)
300 m	1,5 mm <sup>2</sup> (AWG 15)

Pueden utilizarse PowerStone o DC-POWER 24V/25W para alimentar una red



**⚠** Los hilos de bus no tienen polaridad: no es necesario tener en cuenta la polaridad (+ o -) al conectar los cables

## 4.2 DETALLES DEL CABLEADO AL SWITCHSTONE-STD



### Fuente de alimentación

A Alimentación de entrada de PowerStone o DC-POWER 24V/25W

### Salida a

B Cableado a SlimStone-X

### Relé

C Contacto COM, NO y NC del relé 1

D Contacto COM, NO y NC del relé 2

### Entrada de control

E Entrada de control del relé 1

F Entrada de control del relé 2

## 5. INSTALACIÓN DEL SISTEMA

- Conecte el SlimStone-X al SwitchStone-STD, como se describe en el paso anterior
- Tras encenderlo, las teclas [1] y [6] comenzarán a parpadear en el teclado (SlimStone-X) y la tecla [#] permanecerá encendida. En la caja de relés (SwitchStone-STD), todos los LED se encenderán en sentido contrario a las agujas del reloj formando un círculo
- Pulse la tecla [1]
- Las teclas [C] y [#] comienzan a parpadear



- Cuando se ha introducido correctamente un código PIN maestro, todos los dígitos parpadean una vez de arriba a abajo
- Vuelva a introducir el código Master PIN y pulse la tecla [#] para confirmar

**⚠ Si se introducen códigos diferentes o de longitud errónea, todas las teclas parpadearán tres veces para indicar que el código fijado no se ha guardado. Volverá al paso 1**

- Tras haber introducido correctamente un código PIN maestro dos veces, todos los dígitos parpadean una vez de arriba a abajo
- SlimStone-X detectará ahora el SwitchStone-STD
- Una vez que se enlace correctamente el SlimStone-X con el SwitchStone-STD, se encenderán todas las luces del SlimStone-X para indicar que está listo para usarse. En el SwitchStone-STD, el LED de encendido se iluminará permanentemente y el LED del bus parpadeará para indicar que la comunicación es correcta con el teclado

En caso de que el SlimStone-X no pueda detectar el SwitchStone-STD, aparecerá un mensaje de error con un parpadeo rápido de izquierda a derecha de las luces del teclado. Volverá al principio del procedimiento. Vuelva a intentarlo

**⚠ Si no se trata de una nueva configuración y desea añadir un nuevo teclado a una instalación existente, pulse [6] e introduzca el código PIN maestro**

## 6. ENTRADAS DE CONTROL

- Es posible conectar un botón o un actuador externo para activar los relés (por ejemplo, un intercomunicador o un botón de salida libre). Este botón/actuador tendrá prioridad sobre el código PIN
- Para activar el relé 1, el contacto NO del botón externo del relé 1 se debe conectar entre los 2 terminales de "E"
- Para activar el relé 2, el contacto NO del botón externo del relé 2 se debe conectar entre los 2 terminales de "F"
- Consulte los detalles de las entradas de control en el esquema de la página 67

**⚠ ¡Atención! Debe ser un contacto sin tensión y con funcionamiento NO**

- El correspondiente LED "IN" del SwitchStone-STD se encenderá al activarse la entrada de control. La configuración predeterminada de tiempo de relé es de 8 segundos

## 7. PROGRAMACIÓN

### 7.1 ACCESO AL MODO DE PROGRAMACIÓN

- Pulse [#] 5 segundos, [C] y la tecla [#] comenzarán a parpadear
- Introduzca el PIN maestro establecido durante la instalación y confirme con la tecla [#]. Los dígitos de las opciones del menú y el botón cancelar [C] ahora comenzarán a parpadear
- Si se introduce un Master PIN erróneo, se desactivará el modo de programación y se activará el modo de inactividad descrito en 10.2
- Seleccione un menú y confirme pulsando [#]. Están disponibles los siguientes menús:

- [1] ▶ Gestionar códigos PIN
- [2] ▶ Establecer el tiempo de espera del relé
- [5] ▶ Fijar el modo de iluminación
- [7] ▶ Enviando solicitud de incorporación
- [8] ▶ Eliminar dispositivo de la red

Consulte los detalles en el apartado siguiente

**✎ El modo de programación se desactiva automáticamente si no hay actividad durante 60 segundos**

- Tras seleccionar un menú, puede volver al menú principal pulsando la tecla [C]
- Mantenga pulsada la tecla [C] 5 segundos para abandonar el modo de programación

### 7.2 GESTIONAR EL CÓDIGO PIN [1]

- Acceda al modo de programación (consulte 7.1)

**⚠ Es posible programar un máximo de 400 códigos PIN diferentes (4-8 dígitos)**

- Pulse [1] y confirme con [#]
- Las teclas [1] y [#] se encienden
- Introduzca un nuevo código PIN y confirme con [#]. Si se acepta el código, todos los dígitos parpadean una vez de arriba a abajo
- En el caso de un código nuevo, este se deberá repetir y confirmar con [#]
- El SwitchStone incorpora 2 relés. Se pueden conectar hasta 4 SwitchStones en la misma red de bus, es decir, 8 relés en total. Cada relé está representado por un número en el teclado
- Seleccione los números de relé que desea controlar con el código PIN introducido. Una luz intermitente significa deseleccionado, mientras que si está encendido permanentemente significa seleccionado
- Pulse [#] para confirmar
- Todos los dígitos parpadean una vez de arriba a abajo

- Volverá al menú principal del modo de programación. Los dígitos de las opciones del menú y el botón cancelar [C] comenzarán a parpadear

**⚠** Si se introducen códigos diferentes o de longitud errónea, todas las teclas parpadearán tres veces para indicar que el código fijado no se ha guardado. Vuelva a intentarlo. La tecla [1] permanecerá encendida

**✎** Un código puede ser eliminado deseleccionando todos los números de relé antes de la confirmación

### 7.3 FIJAR UN TIEMPO DE ESPERA DEL RELÉ [2]

- Acceda al modo de programación (consulte 7.1)
- Pulse [2] y confirme con [#]
- Los dígitos de los números de los relés disponibles empiezan a parpadear. Pulse el número de relé que desea configurar y confirme con [#]
- Elija la duración de conmutación que desee:
  - un valor comprendido entre 1 y 98 para un relé temporizado (= el relé permanece activo durante los segundos elegidos)
  - "0" para el modo de pulsos (= el relé está activado durante 500 ms)
  - "99" para el modo biestable (= el relé permanece activado hasta que se introduce otro código)
- Introduzca un valor comprendido entre 0 y 99 y confirme con [#]. Su elección se guardará cuando parpadeen todos los LED
- Volverá al menú principal

**⚠** Si se introduce un tiempo no válido, todas las teclas parpadearán tres veces. El menú [3] se mantiene activado

**✎** El tiempo predeterminado está establecido en 8 segundos

### 7.4 FIJAR EL MODO DE ILUMINACIÓN [5]

- Acceda al modo de programación (consulte 7.1)
- Pulse [5] y confirme con [#]
- Hay 3 modos de iluminación. El número del modo seleccionado está permanentemente encendido
- Elija el modo de iluminación que desee:
  - [1] Siempre atenuado (20 % de brillo)
  - [2] Siempre encendido (brillo total)
  - [3] Auto-dim (predeterminado)
 Atenuación automática, la intensidad de las luces se atenúa al 20 % tras 45 segundos de inactividad. Nada más pulsar cualquier tecla, las luces recuperan su máxima intensidad durante 45 segundos como mínimo

- Pulse [1], [2] o [3] y confirme con [#]. Cuando todos los dígitos parpadean de arriba a abajo, su elección se ha guardado correctamente

**⚠** Las opciones de menú 7 y 8 se usa para configurar redes con varios SlimStone-X y/o varios SwitchStone-STD. Por favor visite este enlace para más información sobre como configurar una red con varios dispositivos:



### 7.5 ENVÍO DE SOLICITUD DE INCORPORACIÓN [7]

- Acceda al modo de programación (consulte 7.1)
- Pulse [7] y confirme con [#]
- Introduzca el número de serie del dispositivo no configurado o no introduzca ningún número de serie para incorporar todos los dispositivos conectados y no configurados
- Pulse [#] para confirmar

### 7.6 QUITAR DISPOSITIVO DE LA RED [8]

- Acceda al modo de programación (consulte 7.1)
- Pulse [8] y confirme con [#]
- Introduzca el número de serie del dispositivo que desea eliminar de la red o no ingrese ningún número de serie para eliminar todos los dispositivos fuera de línea
- Pulse [#] para confirmar

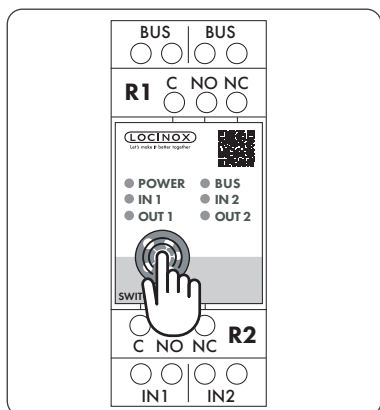
**⚠** Los dispositivos eliminados ya no pueden unirse a una red existente. Es necesario reiniciar completamente tanto SwitchStone-STD como SlimStone-X y crear una nueva red

## 8. RESTABLECIMIENTO DE FÁBRICA TRAS PÉRDIDA DEL MASTER PIN

Si se pierde el Master PIN, hay que restablecer el SwitchStone-STD y el SlimStone-X. Los procedimientos detallados se describen en los apartados 8.1 y 8.2. Una vez restablecidos ambos dispositivos, repita el proceso de instalación del sistema descrito en el apartado 5

### 8.1 RESTABLECIMIENTO DE UN SWITCHSTONE-STD

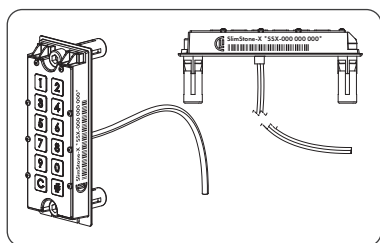
- Mantenga pulsado el botón de restablecimiento durante 5 segundos para reiniciar el SwitchStone-STD



- Una vez finalizado el restablecimiento, parpadearán todos los LED salvo el de encendido

### 8.2 RESTABLECIMIENTO DE UN SLIMSTONE-X

Anote el número de serie de 9 dígitos que figura en el lateral del SlimStone-X



- Mantenga pulsada la tecla [C] durante 5 segundos
- La tecla [C] se enciende y la tecla [#] comienza a parpadear
- Introduzca el número de serie de 9 dígitos del teclado
- Pulse [#] para confirmar

- Si el restablecimiento es correcto, las teclas [1] o [6] comenzarán a parpadear mientras la tecla [#] permanece encendida

- [1] Crear una nueva red.  
Proceda como se describe en el apartado 5
- [6] Incorporación a una red existente.  
Introduzca el PIN maestro de la red y se incorporará a ella el SlimStone-X. Aparecerá un mensaje de error (parpadeo de izquierda a derecha) si no existe ninguna configuración de red

Si desea crear una nueva red, el SwitchStone-STD también debe ser reiniciado primero

## 9. SUSTITUCIÓN DE UN SLIMSTONE-X

- Retire físicamente el SlimStone-X de la red
- Conecte físicamente el nuevo SlimStone-X a la red
- Tras la secuencia de luces de espera (consulte la figura 5.1), la tecla [6] parpadeará mientras que la tecla [#] permanece encendida. Si no aparece este patrón, restablezca el teclado antes de continuar, siguiendo las indicaciones descritas en el apartado 8.2.
- Pulse la tecla [6]
- Introduzca el código Master PIN y pulse la tecla [#] para confirmar
- El SlimStone-X ahora tratará de conectar con el SwitchStone-STD. Este proceso puede tardar hasta 10 segundos
- Si lo consigue, el SlimStone-X pasará al modo de funcionamiento normal. Si falla el procedimiento, compruebe el cableado y vuelva a intentarlo

## 10. FUNCIONAMIENTO DEL SLIMSTONE-X

Proceso de instalación, como se describe en el apartado 5

### 10.1 INTRODUCCIÓN DE UN CÓDIGO CORRECTO

- Introduzca un código PIN (mín. 4 - máx. 8 dígitos)
- Pulse [#] para confirmar
- En el caso de que el código sea válido solo para 1 relé, este se activará de inmediato
- En el caso de que el código PIN sea válido para varios relés, los números de los relés disponibles comenzarán a parpadear. Pulse un número para activar el relé correspondiente
- El número del relé seleccionado y la tecla [C] se encienden. (El tiempo de relé predeterminado es de 8 segundos)
- El menú de selección de relés desaparecerá después de 5 segundos. Los dígitos parpadearán de arriba abajo y el SlimStone-X está listo para un nuevo código

## 10.2 INTRODUCCIÓN DE UN CÓDIGO INCORRECTO

- Introduzca un PIN incorrecto
- Pulse [#] para confirmar
- Todas las luces parpadearán durante 2 segundos para indicar que se ha introducido un código incorrecto

## 11. SUSTITUCIÓN DE UN SWITCHSTONE-STD

- Retire físicamente el SwitchStone-STD de la red
- Conecte físicamente el nuevo SwitchStone-STD a la red
- Confirme que el nuevo SwitchStone-STD se encuentra en estado de restablecimiento (= todos los LED parpadean, salvo el de encendido, que se mantiene iluminado). Si el SwitchStone-STD no se encuentra en estado de restablecimiento, restablézcalo según se describe en el apartado 8.1
- Acceda al modo de programación (consulte 7.1)
- Pulse [7] y, posteriormente, la tecla [#] para confirmar
- El SlimStone-X incorporará el SwitchStone-STD a la red. Durante el proceso, aparecerá el patrón de espera

**⚠** En caso de que no se encuentre el SwitchStone-STD, se mostrará un mensaje de error mediante el parpadeo de izquierda a derecha de los LEDs del teclado

## 12. MANTENIMIENTO

- Limpie la carcasa y la pantalla con un paño suave y humedecido con un detergente neutro
- Nunca utilice gasolina ni otros productos químicos, ya que podrían dañar la carcasa

## 13. INFORMACIÓN GENERAL

- Respete las normas locales relativas a la eliminación de embalajes y dispositivos fuera de uso. Nuestros embalajes son ecológicos. Están hechos de 2 materiales: cartón (la caja) y poliestireno expandido (material amortiguador)
- Su dispositivo está fabricado con materiales reciclables

## 14. GARANTÍA

Todos los equipos electrónicos tienen una garantía de 2 años

## 15. RESOLUCIÓN DE PROBLEMAS

PROBLEMA	SOLUCIÓN
• Cuando intento introducir un código PIN nuevo o cambiar los tiempos de un relé, siempre me sale un error (parpadeo izquierda-derecha)	• Compruebe el cableado entre el SlimStone-X y el SwitchStone-STD. Cuando el SlimStone-X no se puede comunicar con el SwitchStone-STD, todos los LED parpadean 3 veces
• La luz del SlimStone-X se apaga tras pulsar una tecla	• Compruebe la conexión de alimentación
• El SlimStone-X no reacciona tras introducir el código	• Al introducir un código, se debe confirmar siempre con [#]
• Las luces parpadean tras introducir el código PIN y confirmar con [#]	• El código introducido no coincide con los códigos registrados. Consulte el apartado 8

## 16. PREGUNTAS FRECUENTES

PREGUNTA	RESPUESTA
• ¿El teclado tiene calefacción?	• Sí, el SlimStone-X incorpora un sistema de regulación de la calefacción para evitar que se congelen las teclas
• ¿Es el SlimStone-X resistente a diferentes condiciones meteorológicas?	• El SlimStone-X está diseñado conforme a la norma IP68



Puede devolver un producto desechado a su distribuidor o enviarlo a Locinox. La tasa de reciclado de este producto es 0,2 €.



El marcado WEE del producto indica que no se puede arrojar a la basura junto con desechos domésticos, sino que debe ser entregado en un punto de recogida designado para el reciclaje de residuos eléctricos y electrónicos.

ES



Como fabricante de este producto, le garantizamos que hemos tomado todas las medidas necesarias en cumplimiento de las normas de seguridad vigentes.

# Gratulujemy zakupu klawiatury SlimStone-X

## PL 1. OPIS PRODUKTU

SlimStone-X to solidna, odporna na warunki pogodowe klawiatura z wbudowanym podświetleniem LED. Jej wytrzymałość i niezawodność sprawiają, że jest jedyną w swoim rodzaju. Została bowiem specjalnie zaprojektowana i przetestowana pod kątem użytkowania w najbardziej ekstremalnych warunkach pogodowych, aby zawsze zapewniać bezproblemową kontrolę dostępu.

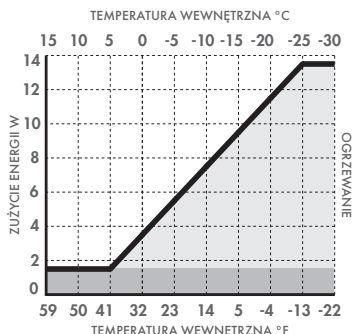
SlimStone-X należy połączyć ze SwitchStone-STD z maksymalnie 4 SlimStone-X i 4 SwitchStone-STD w tej samej sieci. Jest to 2-kanalowy moduł przekaźnikowy o zwykłym (COM), normalnie otwartym (NO) i normalnie zamkniętym (NC) styku dla każdego przekaźnika. Obu przekaźników można użyć do sterowania urządzeniami Locinox lub urządzeniami zewnętrznymi. Wyposażony w innowacyjny system montażowy Quick-Fix i alternatywne akcesoria do montażu na podłożu drewnianym i kamiennym.

Obudowa klawiatury SlimStone-X jest wykonana z malowanego proszkowo aluminium, a jej panel na klawisze i same klawisze – ze szrotkowanej stali nierdzewnej.

Klawiatura umożliwia zaprogramowanie nawet 400 kodów dostępu.

## 2. DANE TECHNICZNE

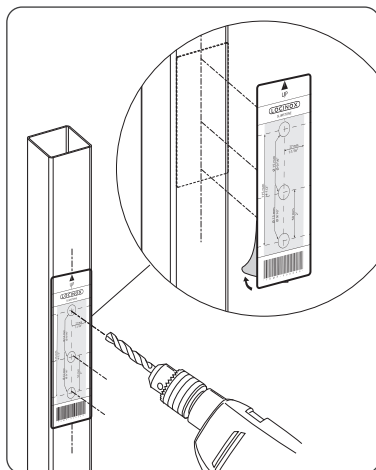
Temperatura działania	od -30°C do 85°C od -22°F do 185°F
Zasilanie	W połączeniu z Locinox PowerStone lub ZASILANIEM DC 24 V/25 W Locinox
Długość przewodu	2 m (6-1/2 ft)
Stopień szczelności	IP68
Zużycie energii	1,5 W (> 5°C/41°F) +12 W przy maks. podgrzewaniu (< -25°C/ < -13°F)



## 3. INSTALACJA

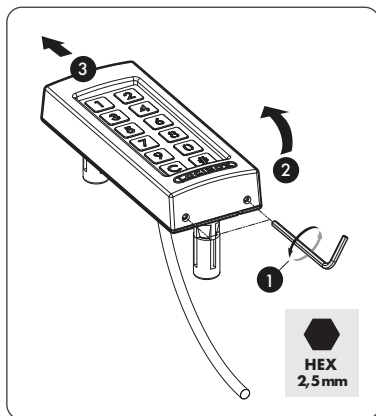
### KROK 1

Przyklej szablon do wiercenia i wywierć otwory w murze lub słupku (zob. str. 5)



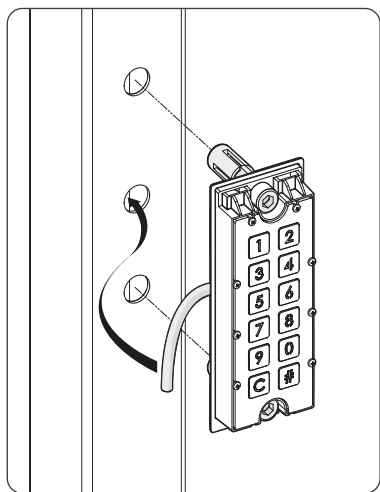
### KROK 2

Usuń obudowę z urządzenia SlimStone-X



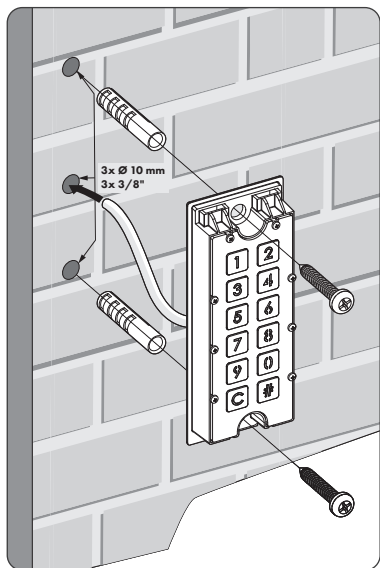
### KROK 3A

Przeprowadź przewód urządzenia przez środkowy otwór w słupku



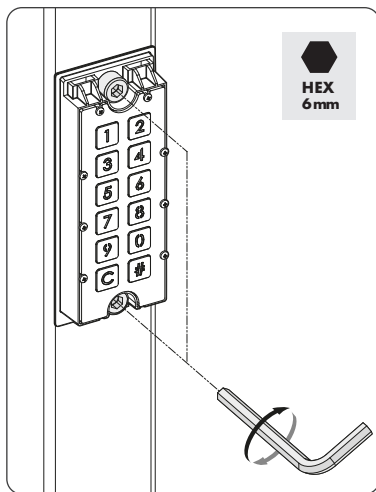
### KROK 3B

Przeprowadź przewód urządzenia przez środkowy otwór w murze



### KROK 4

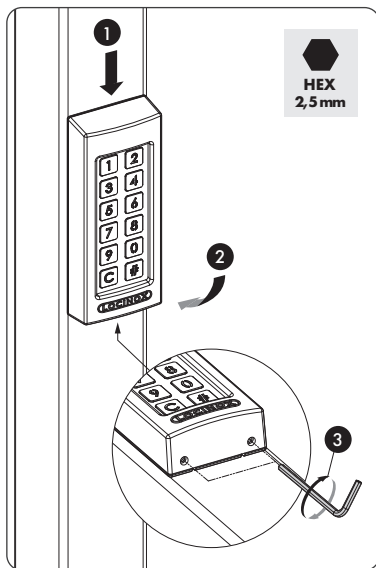
Zamontuj klawiaturę SlimStone-X i dokręć obie śruby Quick-Fix



PL

### KROK 5

Założ obudowę klawiatury i zamocuj ją, dokręcając 2 śruby w jej dolnej części



## 4. PRZEWODY PODŁĄCZENIOWE

Urządzenie SlimStone-X jest wyposażone w 2-żyłowy kabel o długości 2 metrów

Na str. 67 zamieszczono szczegółowy schemat podłączeń

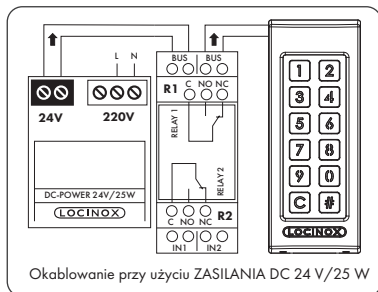
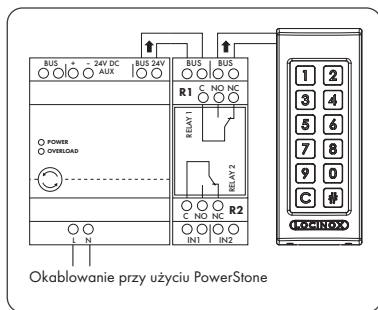
PL

### 4.1 OKABLOWANIE SYSTEMOWE

Do okablowania systemu należy stosować wyłącznie okablowanie miedziane. Wymagana średnica przewodu zależy od maksymalnej odległości pomiędzy PowerStone / ZASILANIEM DC 24 V/25 W a najdalej położonym punktem instalacji:

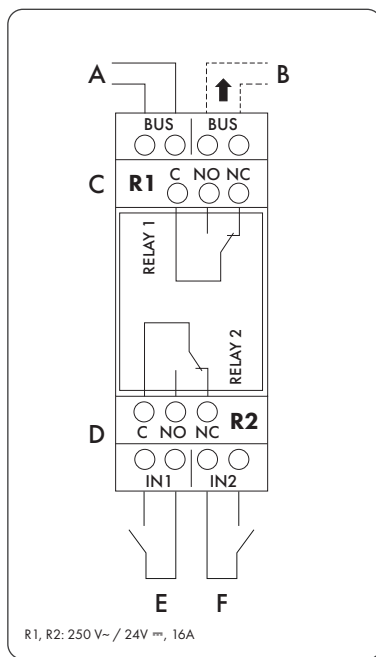
Maksymalna odległość w jedną stronę między PowerStone a najdalszym punktem w sieci	Minimalna sekcja przewodu
25 m	0.2 mm <sup>2</sup> (AWG 24)
100 m	0.75 mm <sup>2</sup> (AWG 18)
300 m	1.5 mm <sup>2</sup> (AWG 15)

Zarówno PowerStone, jak i ZASILANIA DC 24 V/25 W można użyć do zasilania sieci



**!** Przewody magistrali nie mają polaryzacji: nie ma potrzeby uwzględniania polaryzacji (+ lub -) przy podłączaniu przewodów

## 4.2 SZCZEGÓLWY OKABLOWANIE SWITCHSTONE-STD



### Zasilanie

A Zasilanie przychodzące z PowerStone lub ZASILANIA DC 24 V/25 W

### Wyjście do

B Okablowanie do SlimStone-X

### Przełącznik

C Styk COM, NO i NC dla przełącznika 1

D Styk COM, NO i NC dla przełącznika 2

### Przełącznik priorytetowy

E Przełącznik priorytetowy dla przełącznika 1

F Przełącznik priorytetowy dla przełącznika 2

## 5. INSTALACJA SYSTEMU

- Podłącz SlimStone-X do SwitchStone-STD, jak pokazano w poprzednim kroku
- Po włączeniu zasilania cyfry [1] i [6] zaczną migać na klawiaturze (SlimStone-X), a [#] będzie świecił światłem stałym. Na skrzynce przełącznika (SwitchStone-STD) wszystkie diody LED będą świecić w kierunku przeciwnym do ruchu wskazówek zegara w okręgu
- Wybierz [1]



- Klawisze [C] i [#] zaczynają migać
- Po prawidłowym wprowadzeniu kodu Master PIN wszystkie cyfry migają raz od góry do dołu
- Wpisz Master PIN kod ponownie i naciśnij [#], aby potwierdzić

**⚠** Jeśli zostaną wprowadzone dwa różne kody lub kod o niewłaściwej długości, wszystkie klawisze migną trzykrotnie, wskazując, że ustawienie kodu nie zostało zapisane. Powróć do kroku 1

- Po dwukrotnym prawidłowym wprowadzeniu głównego kodu PIN wszystkie cyfry zamigają raz od góry do dołu
- SlimStone-X wykryje teraz SwitchStone-STD
- Po pomyślnym połączeniu SlimStone-X z urządzeniem SwitchStone-STD, wszystkie lampki na SlimStone-X zapalą się, wskazując, że jest on gotowy do użycia. Na SwitchStone-STD, dioda LED zasilania będzie świecić światłem stałym, a dioda LED magistrali będzie migać, aby wskazać poprawną komunikację z klawiaturą

W przypadku gdy SlimStone-X nie może wykryć SwitchStone-STD, komunikat o błędzie zostanie wyświetlony przez szybkie miganie lampek klawiatury w lewo-prawo. Nastąpi powrót do początku procedury. Spróbuj ponownie

**⚠** Jeśli nie jest to nowa konfiguracja i chcesz dodać nową klawiaturę do istniejącej instalacji, naciśnij [6] i wprowadź kod Master PIN

## 6. PRZEKAŹNIKI PRIORYTETOWE

- Możliwe jest podłączenie zewnętrznego przycisku lub elementu podającego sygnał w celu aktywacji przekaźników (np. domofonu lub przycisku swobodnego wyjścia). Taki przycisk/element będzie miał priorytet nad kodem PIN
- Aby aktywować przekaźnik 1, połączyć styk NO przycisku zewnętrznego dla przekaźnika 1 pomiędzy 2 terminalami „E”
- Aby aktywować przekaźnik 2, połączyć styk NO przycisku zewnętrznego dla przekaźnika 2 pomiędzy 2 terminalami „F”
- Więcej informacji na temat przekaźników priorytetowych znajduje się na stronie 67

**⚠** Uwaga! Musi to być bezpotencjałowy styk z działaniem NO

- Odpowiednia dioda LED „IN” zapala się na SwitchStone-STD, gdy przekaźnik priorytetowy jest aktywowany. Domyślne ustawienie czasu przekaźnika to 8 sekund

## 7. PROGRAMOWANIE

### 7.1 WEJŚCIE DO TRYBU PROGRAMOWANIA

- Przcisnąć [#] przez 5 sek., [C] i [#] zacząć migać
- Wprowadź główny kod PIN ustawiony podczas instalacji i potwierdź za pomocą [#]. Cyfry opcji menu i przycisk anulowania [C] zacząć teraz migać
- Jeśli zostanie wprowadzony błędny Master PIN, tryb programowania zostanie zakończony i zostanie zastosowana procedura time out opisana w punkcie 10.2
- Wybierz menu i potwierdź klawiszem [#]. Dostępne są następujące menu:

- [1] ▶ Zarządzanie kodem PIN
- [2] ▶ Ustawianie czasu uruchomienia przekaźnika
- [5] ▶ Ustawianie trybu oświetlenia
- [7] ▶ Wysyłanie prośby o dołączenie
- [8] ▶ Usuwanie urządzenia z sieci

Szczegółowe informacje podane są w następnym punkcie

**✎** Urządzenie automatycznie wyjdzie z trybu programowania, gdy przez 60 sekund użytkownik nie użyje żadnego przycisku

- Po wybraniu menu, naciśnięcie przycisku [C] powoduje przejście do menu głównego
- Aby opuścić tryb programowania, naciśnij i przytrzymaj [C] przez 5 sekund

### 7.2 ZARZĄDZANIE KODEM PIN [1]

- Wejść do trybu programowania (patrz 7.1)

**⚠** Można zaprogramować maksymalnie 400 różnych kodów PIN (4–8 cyfr)

- Naciśnij [1] i potwierdź wybór za pomocą [#]
- [1] i [#] są zapalone
- Wpisz nowy kod PIN i potwierdź za pomocą [#] Jeśli kod zostanie zaakceptowany, wszystkie cyfry zamigają raz od góry do dołu
- Wpisz nowy kod PIN i potwierdź za pomocą [#]
- SwitchStone jest wyposażony w 2 przekaźniki. Do tej samej sieci magistrali można podłączyć do 4 SwitchStone, czyli łącznie 8 przekaźników. Każdy przekaźnik jest reprezentowany przez numer na klawiaturze
- Wybierz numer(y) przekaźników, którymi chcesz sterować za pomocą wprowadzonego kodu PIN. Migające światło oznacza odznaczenie, a świecenie światłem stałym oznacza wybranie
- Naciśnij [#], aby potwierdzić
- Wszystkie cyfry zamigają raz od góry do dołu

- Urządzenie powróci do menu głównego w trybie programowania. Cyfry opcji menu i przycisk anulowania [C] zaczną migać

**!** Jeśli zostaną wprowadzone dwa różne kody lub kod o niewłaściwej długości, wszystkie klawisze migną trzykrotnie, wskazując, że ustawienie kodu nie zostało zapisane. Spróbuj ponownie. [1] nadal będzie świecić

**✎** Kod można usunąć, odznaczając wszystkie numery przekaźników przed potwierdzeniem

### 7.3 USTAWIANIE CZASU URUCHOMIENIA PRZEKAŹNIKA [2]

- Wejdź do trybu programowania (patrz 7.1)
- Naciśnij [2] i potwierdź wybór za pomocą [#]
- Cyfry numerów dostępnych przekaźników zaczną migać. Naciśnij numer przekaźnika, który chcesz skonfigurować i potwierdź za pomocą [#]
- Wybierz pożądaną czas trwania przełączania:
  - wartość pomiędzy 1 a 98 dla przekaźnika czasowego (= przekaźnik pozostaje aktywny przez wybraną liczbę sekund)
  - „0” dla trybu impulsu (= przekaźnik jest aktywny przez 500 ms)
  - „99” dla trybu bistabilnego (= przekaźnik pozostaje aktywny do czasu wprowadzenia innego kodu)
- Wprowadź wartość pomiędzy 0 a 99 i potwierdź za pomocą [#]. Gdy wszystkie diody LED migają, wybór został zapisany
- Nastąpi powrót do menu głównego trybu programowania. Cyfry opcji menu i przycisk anulowania [C] zaczną migać

**!** W przypadku wprowadzenia nieprawidłowego czasu wszystkie klawisze zamigają trzy razy. Menu [3] pozostaje aktywne

**✎** Domyślny czas jest ustawiony na 8 sekund

### 7.4 USTAWIANIE TRYBU OŚWIETLENIA [5]

- Wejdź do trybu programowania (patrz 7.1)
- Naciśnij [5] i potwierdź wybór za pomocą [#]
- Dostępne są 3 tryby oświetlenia. Numer wybranego trybu świeci światłem stałym
- Wybierz pożądaną tryb podświetlenia:
  - [1] Zawsze przyciemnione (20% jasności)
  - [2] Zawsze włączone (pełna jasność)
  - [3] Automatyczne przyciemnianie (domyślnie) Jasność lampek zostaje zmniejszona do 20% po 45 sekundach braku aktywności. Po naciśnięciu dowolnego klawisza lampki ponownie zapalają się z pełną jasnością na minimum 45 sekund

- Naciśnij [1], [2] lub [3] i potwierdź wybór za pomocą [#]. Gdy wszystkie cyfry zamigają od góry do dołu, wybór jest poprawnie zapisany
- Urządzenie powróci do menu głównego w trybie programowania. Cyfry opcji menu i przycisk anulowania [C] zaczną migać

**!** Opcje menu 7 i 8 służą do konfigurowania sieci z wieloma SlimStone-X i/lub wieloma SwitchStone-STD. Odwiedź poniższy link, aby uzyskać więcej informacji na temat konfiguracji sieci z wieloma urządzeniami:



### 7.5 WYSYŁANIE PROŚBY O DOŁĄCZENIE [7]

- Wejdź do trybu programowania (patrz 7.1)
- Naciśnij [7] i potwierdź wybór za pomocą [#]
- Wprowadź numer seryjny nieskonfigurowanego urządzenia lub nie wprowadzaj numeru seryjnego, aby dołączyć do wszystkich podłączonych i nieskonfigurowanych urządzeń
- Naciśnij [#], aby potwierdzić

### 7.6 USUWANIE URZĄDZENIA Z SIECI [8]

- Wejdź do trybu programowania (patrz 7.1)
- Naciśnij [8] i potwierdź wybór za pomocą [#]
- Wprowadź numer seryjny urządzenia, które chcesz usunąć z sieci lub nie wprowadzaj numeru seryjnego, aby usunąć wszystkie urządzenia offline
- Naciśnij [#], aby potwierdzić

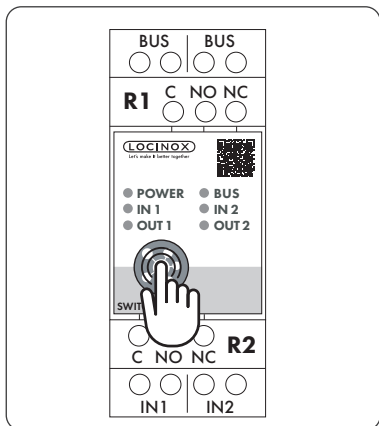
**!** Usunięte urządzenia nie mogą być już dołączone do istniejącej sieci. Wymagane jest całkowite ponowne uruchomienie SwitchStone-STD i SlimStone-X oraz utworzenie nowej sieci

## 8. PRZYWRACANIE USTAWIENÍ FABRYCZNYCH W RAZIE UTRATY MASTER PIN KODU

W razie utraty Master PIN kod należy zresetować zarówno SwitchStone-STD jak i SlimStone-X. Szczegółowe procedury opisano w punktach 8.1 i 8.2. Po zresetowaniu obu urządzeń należy powtórzyć proces instalacji systemu, jak opisano w punkcie 5

### 8.1 RESETOWANIE SWITCHSTONE-STD

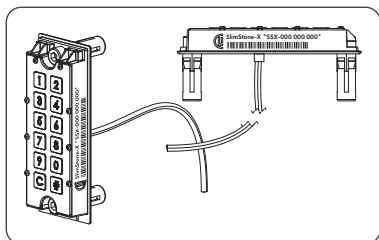
- Naciśnij i przytrzymaj przycisk resetowania przez 5 sekund, aby zresetować SwitchStone-STD



- Po wykonaniu resetu wszystkie diody LED, oprócz zasilania, będą migać

### 8.2 RESETOWANIE SLIMSTONE-X

Zapisz 9-cyfrowy numer seryjny, który znajduje się z boku SlimStone-X



- Naciśnij i przytrzymaj [C] przez 5 sekund
- [C] i [#] zaczną migać
- Wprowadź 9-cyfrowy numer seryjny klawiatury
- Naciśnij [#], aby potwierdzić
- Jeśli reset został wykonany pomyślnie, [1] lub [6] zaczną migać, a [#] będzie świecił

- [1] Utwórz nową sieć. Postępuj jak opisano w punkcie 5
- [6] Dołącz do istniejącej sieci. Wprowadź główny kod PIN sieci, a SlimStone-X zostanie dodany. Jeśli nie jest dostępna żadna konfiguracja sieci, pojawi się komunikat o błędzie (miga lewy-prawy)

Aby utworzyć nową sieć, należy najpierw zresetować urządzenie SwithStone- STD

## 9. WYMIANA SLIMSTONE-X

- Fizycznie usun SlimStone-X z sieci
- Fizycznie podłącz nowy SlimStone-X do sieci
- Po włączeniu zasilania cyfry [1] i [6] zaczną migać na klawiaturze (SlimStone-X), a [#] będzie świecił światłem stałym. Jeśli schemat ten nie jest wyświetlany, zresetuj klawiaturę przed kontynuacją, zgodnie z procedurą opisaną w punkcie 8.2
- Wybierz [6]
- Wpisz główny kod PIN i naciśnij [#], aby potwierdzić
- SlimStone-X spróbuje się teraz połączyć ze SwitchStone-STD. Ten proces może potrwać do 10 sekund
- W przypadku powodzenia SlimStone-X powróci do normalnego trybu pracy. W przypadku niepowodzenia procedury, sprawdź okablowanie i spróbuj ponownie

## 10. OBSŁUGA URZĄDZENIA SLIMSTONE-X

Proces instalacji, jak opisano w paragrafie 5

### 10.1 WPROWADZENIE PRAWIDŁOWEGO KODU

- Wprowadź kod PIN (4–8 cyfr)
- Naciśnij [#], aby potwierdzić
- Jeżeli kod obowiązuje tylko dla 1 przełącznika, zostanie on aktywowany niezwłocznie
- W przypadku gdy kod PIN jest ważny dla wielu przełączników, numery dostępnych przełączników zaczną migać. Naciśnij numer, aby aktywować odpowiedni przełącznik
- Wybrany numer przełącznika i [C] świecić się. (domyślny czas przełącznika to 8 sekund)
- Menu wyboru przełącznika zniknie po 5 sekundach. Cyfry będą migać od góry do dołu, a SlimStone-X jest gotowy na nowy kod

## 10.2 WPROWADZENIE NIEPRAWIDŁOWEGO KODU

- Wprowadź nieprawidłowy kod PIN
- Naciśnij [#], aby potwierdzić
- Wszystkie lampki zamigają dwa razy, informując, że wprowadzono nieprawidłowy kod

## 11. WYMIANA SWITCHSTONE-STD

- Fizycznie usuń SwitchStone-STD z sieci
- Fizycznie podłącz nowy SwitchStone- STD do sieci
- Potwierdź, że SwitchStone-STD znajduje się w stanie resetu (= wszystkie diody LED migają w kierunku przeciwnym do ruchu wskazówek zegara). Jeśli nie znajduje się w stanie resetu, patrz punkt 8.1 w celu procedury resetowania SwitchStone-STD
- Wejdź do trybu programowania (patrz 7.1)
- Wybierz [7], naciśnij [#], aby potwierdzić
- SlimStone-X doda SwitchStone-STD do sieci. Podczas tej procedury pokazany będzie schemat oczekiwania

⚠ Jeśli SwitchStone-STD nie został znaleziony, komunikat o błędzie zostanie wyświetlony w postaci migających z lewej na prawą diod LED klawiatury

## 12. KONSERWACJA

- Do mycia obudowy i wyświetlacza należy użyć miękkiej ściereczki i neutralnego środka czyszczącego
- Nie wolno do tego celu używać benzyny lub innych środków chemicznych, gdyż mogą uszkodzić obudowę

## 13. INFORMACJE OGÓLNE

- Należy postępować zgodnie z lokalnymi przepisami dotyczącymi usuwania opakowania, a także urządzenia po zakończeniu eksploatacji. Nasz materiał opakowaniowy jest przyjazny dla środowiska. Można go podzielić na 2 materiały: karton (pudełko) i rozkładany poliester (przegrody)
- Urządzenie jest wykonane z materiałów nadających się do recyklingu

## 14. GWARANCJA

Wszystkie części elektroniczne są objęte dwuletnią gwarancją

## 15. ROZWIĄZYWANIE PROBLEMÓW

OPIS PROBLEMU	ROZWIĄZANIE
• Kiedy próbuję dodać nowy kod PIN lub zmienić czas działania przekaźnika, zawsze pokazuje się błąd (lewa-prawa miganie)	• Sprawdź okablowanie pomiędzy SlimStone-X i SwitchStone-STD. Gdy SlimStone-X nie może się skomunikować ze SwitchStone-STD, wszystkie lampki zamigają od lewej do prawej
• Oświetlenie klawiatury SlimStone-X gaśnie po naciśnięciu dowolnego przycisku	• Sprawdź podłączenie do zasilania
• Urządzenie SlimStone-X nie reaguje po wprowadzeniu kodu	• Po wprowadzeniu kodu należy go zawsze potwierdzić naciskając [#]
• Oświetlenie miga po wprowadzeniu kodu PIN i zatwierdzeniu go przyciskiem [#]	• Wprowadzony kod jest niezgodny z zaprogramowanymi kodami. Patrz punkt 8

## 16. CZĘSTO ZADAWANE PYTANIA

PYTANIE	ODPOWIEDŹ
• Czy klawiatura jest podgrzewana?	• Tak, urządzenie SlimStone-X wyposażono w regulowany system grzewczy, dzięki któremu przyciski klawiatury nie zamarzają
• W jaki sposób zabezpieczono klawiaturę SlimStone-X przed warunkami pogodowymi?	• Urządzenie SlimStone-X zostało zaprojektowane w taki sposób, aby spełniało normę szczelności IP68



Po zakończeniu użytkowania urządzenie można zwrócić swojemu sprzedawcy lub odesłać do firmy Locinox. Opłata recyklingowa dla tego produktu wynosi 0,2 €.



Oznaczenie WEE umieszczone na produkcie oznacza, że nie wolno go wyrzucać wraz ze zwykłymi śmieciami domowymi, tylko oddać do wyznaczonego punktu recyklingu odpadów elektrycznych i elektronicznych.



Producent urządzenia zapewnia, że podjął wszelkie niezbędne kroki w celu zagwarantowania, aby produkt ten spełniał obowiązujące wymogi w zakresie bezpieczeństwa.

PL

# Поздравляем с покупкой вашего SlimStone-X

## RU 1. ОПИСАНИЕ ПРОДУКТА

SlimStone-X — это прочная кодовая панель со встроенной светодиодной подсветкой, устойчивая к погодным условиям. Эта панель уникальна ввиду своей долговечности. Разработанная и протестированная для использования в самых экстремальных погодных условиях, SlimStone-X гарантирует контроль доступа при любых обстоятельствах.

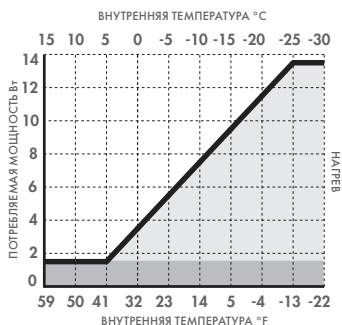
Панель SlimStone-X нужно использовать вместе с блоком SwitchStone-STD в составе до 4 панелей SlimStone-X и 4 блоков SwitchStone-STD в одной сети. Это двухканальный релейный блок, содержащий общий, нормально разомкнутый и нормально замкнутый контакты для каждого реле. Оба реле могут использоваться для управления устройствами компании Locinox или сторонних производителей. Панель оснащена инновационными креплениями Quick-Fix, также в комплект входят альтернативные крепления для деревянных и бетонных поверхностей.

SlimStone-X состоит из алюминиевого корпуса с порошковым покрытием, панели из нержавеющей стали и таких же тактильных кнопок.

Поддерживает до 400 программируемых кодов.

## 2. ТЕХНИЧЕСКИЕ ХАРАКТЕРИСТИКИ

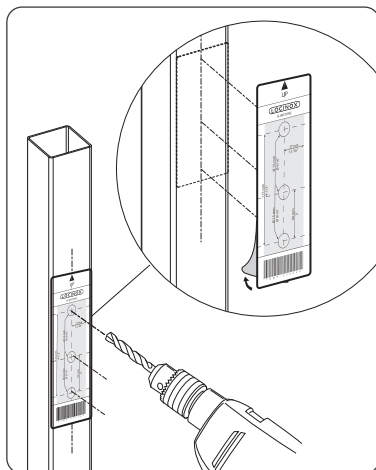
Рабочая температура	От -30 °C до 85 °C От -22 °F до 185 °F
Питание	Используйте вместе с Locinox PowerStone или Locinox DC-POWER 24 В/25 Вт
Длина кабеля	2 м (6,5 фута)
Степень защиты	IP68
Потребляемая мощность	1,5 Вт (> 5 °C / 41 °F) + 12 В при макс. нагреве (< -25 °C / < -13 °F)



## 3. МОНТАЖ

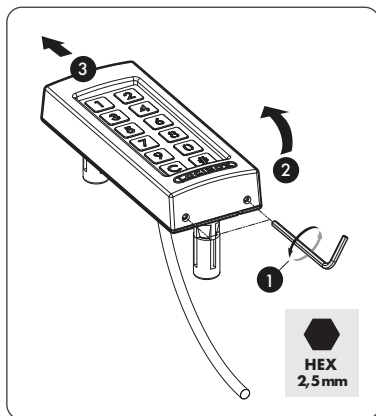
### ШАГ 1

Приклейте шаблон к стене или столбу и просверлите отверстия (см. стр. 5)



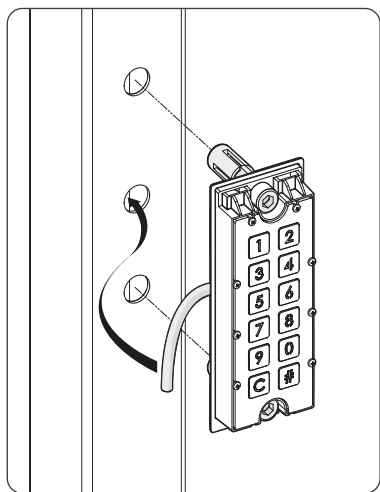
### ШАГ 2

Снимите крышку SlimStone-X



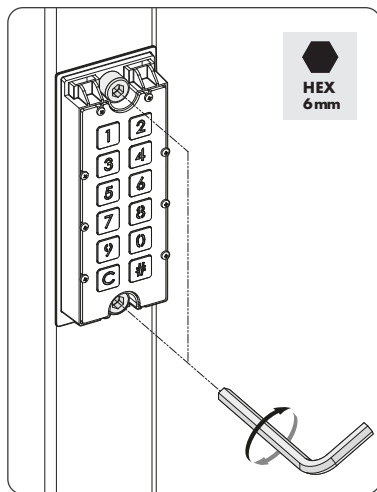
### ШАГ 3А

Протяните кабель через среднее отверстие в опоре



### ШАГ 4

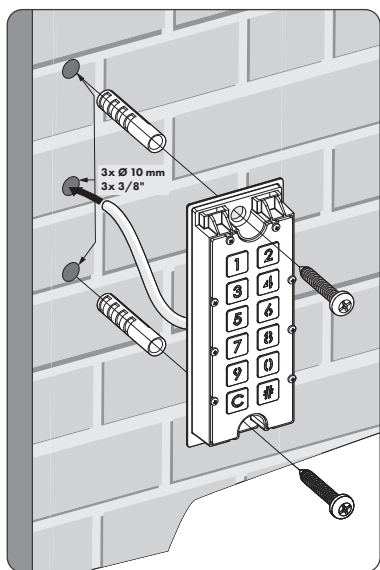
Установите SlimStone-X и затяните оба крепления Quick-Fix



RU

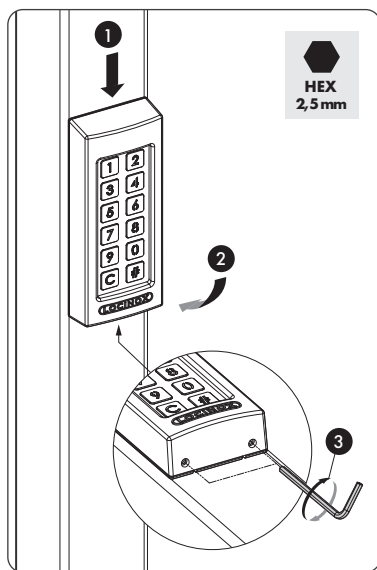
### ШАГ 3Б

Пропустите кабель через среднее отверстие в стене



### ШАГ 5

Установите крышку и затяните с помощью 2 винтов внизу



## 4. КАБЕЛЬНОЕ ПОДКЛЮЧЕНИЕ

SlimStone-X оснащается двухжильным кабелем длиной 2 м

См. подробную схему подключения на стр. 67

RU

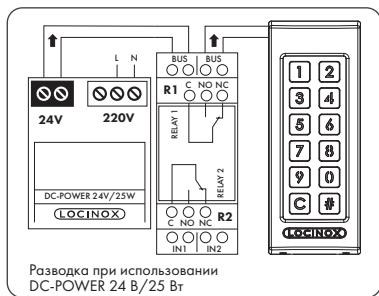
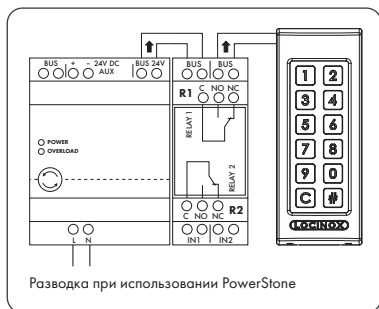
### 4.1 ПРОВОДКА СИСТЕМЫ

Для подключения системы следует использовать только медные кабели. Требуемый диаметр кабеля зависит от максимального расстояния между устройством PowerStone/DC-POWER 24 В/25 Вт и самой дальней точкой установки

**Максимальное расстояние**

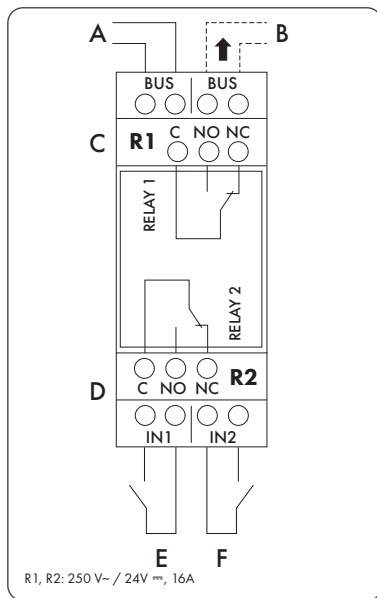
в одну сторону между PowerStone и самой дальней точкой в сети	Минимальное сечение кабеля
25 м	0,2 мм <sup>2</sup> [AWG 24]
100 м	0,75 мм <sup>2</sup> [AWG 18]
300 м	1,5 мм <sup>2</sup> [AWG 15]

Для питания сети можно использовать как PowerStone, так и DC-POWER 24 В/25 Вт



**⚠ Провода шины не имеют полярности: нет необходимости учитывать полярность (+ или -) при подключении кабелей**

## 4.2 ПОДРОБНАЯ СХЕМА РАЗВОДКИ SWITCHSTONE-STD



### Питание

A Вход питания от PowerStone или DC-POWER 24 В/25 Вт

### Выход

B Подключение к SlimStone-X

### Реле

- C Общий, нормально разомкнутый и нормально замкнутый контакт реле 1
- D Общий, нормально разомкнутый и нормально замкнутый контакт реле 2

### Вход управления

- E Вход управления реле 1
- F Вход управления реле 2

## 5. УСТАНОВКА СИСТЕМЫ

- Подключите SlimStone-X к SwitchStone-STD, как описано в предыдущем разделе
- После включения на кнопочной панели (SlimStone-X) начнут мигать кнопки [1] и [6], а кнопка [#] будет светиться постоянно. На релейном блоке (SwitchStone-STD) все светодиоды загорятся последовательно по кругу, против часовой стрелки
- Выберите [1]
- Клавиши [C] и [#] начинают мигать



- Если мастер PIN-код введен правильно, все цифры мигают один раз сверху вниз
- Введите контрольный ПИН-код еще раз и нажмите [#] для подтверждения

**⚠ В случае неправильной длины кода или несовпадения двух кодов все кнопки мигнут три раза, указывая на то, что код не был сохранен. Вы вернетесь к шагу 1**

- Если контрольный ПИН-код был правильно введен дважды, все цифры мигнут один раз сверху вниз
- Теперь панель SlimStone-X обнаружит блок SwitchStone-STD
- После успешного подключения панели SlimStone-X к блоку SwitchStone-STD все индикаторы SlimStone-X загорятся, показывая, что панель готова к использованию. На блоке SwitchStone-STD индикатор питания будет гореть постоянно, а индикатор шины будет мигать, показывая надлежащее соединение с кнопочной панелью

В случае если панель SlimStone-X не может обнаружить блок SwitchStone-STD, сообщение об ошибке будет отображаться посредством быстрого мигания влево-вправо индикаторов кнопочной панели. Вы вернетесь к началу процесса.

Попробуйте еще раз

**⚠ Если это не новая конфигурация, и вы хотите добавить новую клавиатуру к существующей установке, нажмите [6] и введите главный PIN-код**

## 6. ВХОДЫ УПРАВЛЕНИЯ

- Для активации реле можно подключить внешнюю кнопку или выключатель (например, домофон или кнопку свободного выхода). Эта кнопка/выключатель будет приоритетнее Master PIN КОДА
- Чтобы активировать реле 1, подключите нормально разомкнутый контакт внешней кнопки к реле 1 между двумя клеммами «E»
- Чтобы активировать реле 2, подключите нормально разомкнутый контакт внешней кнопки к реле 2 между двумя клеммами «F»
- Подробнее о входах управления см. схему на стр. 67

**⚠ Внимание! Это должен быть беспотенциальный замыкающий контакт**

- При активации входа управления на блоке SwitchStone-STD загорится соответствующий светодиод «IN». По умолчанию уставка времени реле составляет 8 секунд

## 7. ПРОГРАММИРОВАНИЕ

### 7.1 ДОСТУП К РЕЖИМУ ПРОГРАММИРОВАНИЯ

- Нажмите и удерживайте кнопку [#] в течение 5 секунд, после чего кнопки [C] и [#] начнут мигать
- Введите контрольный PIN-код, заданный в процессе установки, и подтвердите выбор с помощью кнопки [#]. Цифры пунктов меню и кнопка отмены [C] теперь начнут мигать
- Если введен неправильный контрольный ПИН-код, происходит выход из режима программирования и переход в режим ожидания, как описано в п. 10.2
- Выберите меню и подтвердите выбор, нажав [#]. Доступны следующие меню:

- [1] ▶ Настройка ПИН-кодов
- [2] ▶ Установка времени выдержки реле
- [5] ▶ Установка режима подсветки
- [7] ▶ Отправка запроса на присоединение
- [8] ▶ Удаление устройства из сети

Подробную информацию см. в следующем разделе

**✎ Если в течение 60 секунд нет активности, автоматически выполняется выход из режима программирования**

- После выбора меню можно вернуться в главное меню, нажав кнопку [C]
- Удерживайте кнопку [C] в течение 5 секунд, чтобы выйти из режима программирования

### 7.2 НАСТРОЙКА MASTER PIN КОДА [1]

- Войдите в режим программирования (см. пункт 7.1)

**⚠ Можно запрограммировать до 400 различных ПИН-кодов (4-8 цифр)**

- Нажмите [1] и подтвердите выбор, нажав [#]
- Кнопки [1] и [#] начнут светиться
- Введите новый ПИН-код и подтвердите выбор с помощью кнопки [#]. Если код принят, все цифры мигнут один раз сверху вниз
- В случае установки нового кода его нужно будет ввести повторно и подтвердить, нажав [#]
- Панель SwitchStone комплектуется 2 реле. К одной шинной сети можно подключить до 4 панелей SwitchStone, то есть всего 8 реле. Каждое реле имеет свою цифру на кнопочной панели

- Выберите номера реле, которыми вы планируете управлять с помощью введенного ПИН-кода. При отмене выбора светодиод мигает, а при подтверждении — горит постоянно
- Нажмите кнопку [#], чтобы подтвердить выбор
- Все цифры мигнут один раз сверху вниз
- Вы вернетесь в главное меню режима программирования. Цифры пунктов меню и кнопка отмены [C] начнут мигать

**⚠** В случае неправильной длины кода или несопадения двух кодов все кнопки мигнут три раза, указывая на то, что код не был сохранен. Попробуйте еще раз. Кнопка [1] продолжит светиться

**✍** Код можно удалить, отменив выбор всех номеров реле перед подтверждением

### 7.3 УСТАНОВКА ВРЕМЕНИ ВЫДЕРЖКИ РЕЛЕ [2]

- Войдите в режим программирования (см. пункт 7.1)
- Нажмите кнопку [2] и подтвердите выбор с помощью кнопки [#]
- Цифры номеров доступных реле начнут мигать. Нажмите номер реле, которое необходимо настроить, и подтвердите выбор с помощью кнопки [#]
- Выберите желаемую продолжительность переключения:
  - значение от 1 до 98 для реле с таймером (реле остается активным в течение выбранного количества секунд);
  - «0» для импульсного режима (реле включается на 500 мс);
  - «99» для бистабильного режима (реле остается активным, пока не будет введен другой код)
- Укажите значение от 0 до 99 и подтвердите с помощью кнопки [#]. Если выбор сохранен, все светодиоды замигают
- Вы вернетесь в главное меню режима программирования. Цифры опций меню и кнопка отмены [C] начнут мигать

**⚠** Если указано неверное время, все кнопки мигнут три раза. Меню [3] остается активным

**✍** Время по умолчанию установлено на 8 секунд

### 7.4 УСТАНОВКА РЕЖИМА ПОДСВЕТКИ [5]

- Войдите в режим программирования (см. пункт 7.1)
- Нажмите [5] и подтвердите выбор, нажав [#]
- Есть 3 режима подсветки. Номер выбранного режима горит постоянно

- Выберите желаемый режим подсветки:
  - [1] Постоянно тусклый режим подсветки (яркость 20%)
  - [2] Подсветка всегда включена (полная яркость)
  - [3] Автоматическая регулировка яркости (по умолчанию)  
Яркость подсветки снижается до 20% после 45 секунд бездействия. После нажатия любой кнопки яркость подсветки возрастет до максимума еще на 45 секунд

- Нажмите кнопку [1], [2] или [3] и подтвердите выбор с помощью кнопки [#]. Если выбор сохранен, все светодиоды замигают

Вы вернетесь в главное меню режима программирования. Цифры пунктов меню и кнопка отмены [C] начнут мигать

**⚠** Пункты меню 7 и 8 используются для настройки сетей с несколькими SlimStone-X и/или несколькими SwitchStone-STD. Пожалуйста, перейдите по следующей ссылке для получения дополнительной информации о настройке сети с несколькими устройствами:



### 7.5 ОТПРАВКА ЗАПРОСА НА ПРИСОЕДИНЕНИЕ [7]

- Войдите в режим программирования (см. пункт 7.1)
- Нажмите кнопку [7] и подтвердите выбор с помощью кнопки [#]
- Введите серийный номер ненастроенного устройства или не вводите серийный номер, чтобы присоединить все подключенные и ненастроенные устройства
- Нажмите кнопку [#], чтобы подтвердить выбор

### 7.6 УДАЛЕНИЕ УСТРОЙСТВА ИЗ СЕТИ [8]

- Войдите в режим программирования (см. пункт 7.1)
- Нажмите кнопку [8] и подтвердите выбор с помощью кнопки [#]
- Введите серийный номер устройства, которое необходимо удалить из сети, или не вводите серийный номер, чтобы удалить все автономные устройства
- Нажмите кнопку [#], чтобы подтвердить выбор

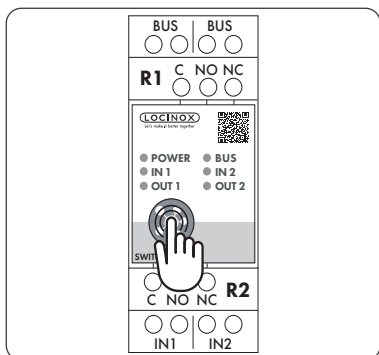
**⚠** Удаленные устройства больше не могут быть объединены в существующую сеть. Требуется полная перезагрузка SwitchStone-STD и SlimStone-X и создание новой сети

## 8. СБРОС ДО ЗАВОДСКИХ НАСТРОЕК ПРИ УТЕРЕ КОНТРОЛЬНОГО MASTER PIN КОДА

В случае утери контрольного Master PIN КОДА нужно сбросить настройки блока SwitchStone-STD и панели SlimStone-X. Подробные действия описаны в пунктах 8.1 и 8.2. После сброса обоих устройств повторите процесс установки системы, как описано в разделе 5

### 8.1 СБРОС НАСТРОЕК SWITCHSTONE-STD

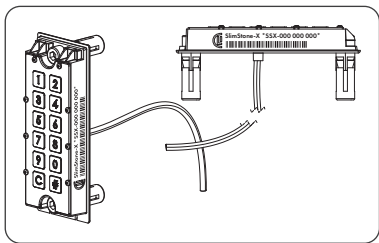
- Чтобы сбросить настройки блока SwitchStone-STD, нажмите и удерживайте кнопку сброса в течение 5 секунд



- После завершения сброса все светодиоды, кроме кнопки питания, замигают

### 8.2 СБРОС НАСТРОЕК SLIMSTONE-X

Запишите 9-значный серийный номер, который можно найти на боковой стороне SlimStone-X



- Нажмите и удерживайте кнопку [C] в течение 5 секунд
- Кнопки [C] и [#] начнут мигать

- Введите 9-значный серийный номер панели
- Нажмите кнопку [#], чтобы подтвердить выбор
- Если сброс был успешным, кнопка [1] или кнопка [6] начнет мигать, а кнопка [#] продолжит светиться

- [1] Создание новой сети  
Выполните порядок действий согласно п. 5
- [6] Присоединение к существующей сети.  
Введите контрольный ПИН-код сети, и панель SlimStone-X будет добавлена. Если сетевая конфигурация недоступна, появится сообщение об ошибке (отображается миганием влево-вправо)

Если вы хотите создать новую сеть, SwitchStone-STD также необходимо сначала перезагрузить

## 9. ЗАМЕНА SLIMSTONE-X

- Физически отсоедините панель SlimStone-X от сети
- Физически подсоедините новую панель SlimStone-X к сети
- После включения на кнопочной панели (SlimStone-X) начнут мигать кнопки [1] и [6], а кнопка [#] будет светиться постоянно. Если эта последовательность не отображается, перезагрузите панель в соответствии с процедурой, описанной в пункте 8.2, прежде чем продолжить
- Выберите кнопку [6]
- Введите контрольный ПИН-код и нажмите кнопку [#] для подтверждения
- Теперь панель SlimStone-X попытается установить соединение с блоком SwitchStone-STD. Этот процесс может занять до 10 секунд
- В случае успеха SlimStone-X перейдет в стандартный рабочий режим. Если процедура не удалась, проверьте кабели и попробуйте еще раз

## 10. ФУНКЦИОНИРОВАНИЕ SLIMSTONE-X

Процесс установки - следуйте описанию, как в пункте 5

### 10.1 ВВОД ПИНА

- Введите ПИН-код (от 4 до 8 цифр)
- Нажмите кнопку [#], чтобы подтвердить выбор
- Если код действителен только для одного реле, это реле будет активировано немедленно
- Если ПИН-код действителен для нескольких реле, номера доступных реле начнут мигать. Нажмите номер соответствующего реле для его активации
- Загорятся номер выбранного реле и кнопка [C]. (По умолчанию уставка времени реле составляет 8 секунд)

- Меню выбора реле исчезнет через 5 секунд. Цифры будут мигать сверху вниз, и панель SlimStone-X будет готова к вводу нового кода

## 10.2 ВВОД НЕПРАВИЛЬНОГО КОДА

- Введите неправильный ПИН-код
- Нажмите [#] для подтверждения
- Все индикаторы мигнут дважды, указывая на то, что введен неправильный код

## 11. ЗАМЕНА SWITCHSTONE-STD

- Физически отсоедините блок SwitchStone-STD от сети
- Установите и подсоедините новый блок SwitchStone-STD
- Убедитесь, что SwitchStone-STD находится в состоянии сброса (= все светодиоды мигают против часовой стрелки). Если он не находится в состоянии сброса, см. пункт 8.1, чтобы сбросить SwitchStone-STD
- Войдите в режим программирования (см. пункт 7.1)
- Нажмите кнопку [7] и подтвердите выбор с помощью кнопки [#]
- SlimStone-X добавит SwitchStone-STD в сеть

**⚠ Если SwitchStone-STD не найден, сообщение об ошибке будет показано миганием светодиодов клавиша**

## 12. ОБСЛУЖИВАНИЕ

- Используйте мягкую тряпочку, увлажненную нейтральным очищающим средством, для чистки корпуса и экрана
- Никогда не используйте топливо или другие химические средства на устройстве, так как они могут повредить корпус

## 13. ОБЩАЯ ИНФОРМАЦИЯ

- Соблюдайте местные правила утилизации упаковочного материала и оборудования, которое больше не используется. Наш упаковочный материал является экологически чистым. Его можно разделить на 2 материала: картон (коробка) и вспениваемый полиэстер (промежуточный слой)
- Ваше устройство изготовлено из перерабатываемых материалов

## 14. ГАРАНТИЯ

На всю электронику распространяется 2-летняя гарантия

## 15. УСТРАНЕНИЕ НЕИСПРАВНОСТЕЙ

ПРОБЛЕМА	РЕШЕНИЕ
<ul style="list-style-type: none"> <li>• Когда я пытаюсь добавить новый ПИН-код или изменить временные настройки реле, то всегда получаю сообщение об ошибке (мигание влево-вправо)</li> </ul>	<ul style="list-style-type: none"> <li>• Проверьте кабельное соединение между SlimStone-X и SwitchStone-STD. Если панель SlimStone-X не может установить соединение с блоком SwitchStone-STD, все светодиоды будут мигать слева направо</li> </ul>
<ul style="list-style-type: none"> <li>• Подсветка SlimStone-X отключается после нажатия кнопки</li> </ul>	<ul style="list-style-type: none"> <li>• Проверьте подключение источника питания</li> </ul>
<ul style="list-style-type: none"> <li>• Панель SlimStone-X не реагирует после ввода кода</li> </ul>	<ul style="list-style-type: none"> <li>• Ввод кода всегда нужно подтверждать нажатием кнопки [#]</li> </ul>
<ul style="list-style-type: none"> <li>• Подсветка мигает после ввода Master PIN КОДА и подтверждения нажатием [#]</li> </ul>	<ul style="list-style-type: none"> <li>• Введенный код не соответствует ни одному из зарегистрированных кодов. См. раздел 8</li> </ul>

## 16. ЧАСТО ЗАДАВАЕМЫЕ ВОПРОСЫ

ВОПРОС	ОТВЕТ
<ul style="list-style-type: none"> <li>• Подогревается ли панель?</li> </ul>	<ul style="list-style-type: none"> <li>• Да, панель SlimStone-X оснащается регулируемой системой подогрева, благодаря которой клавиши не замерзают</li> </ul>
<ul style="list-style-type: none"> <li>• Насколько защищена от непогоды панель SlimStone-X?</li> </ul>	<ul style="list-style-type: none"> <li>• Панель SlimStone-X отвечает стандарту защиты IP68</li> </ul>



Утилизированное устройство можно вернуть вашему дилеру или отправить обратно в компанию Locinox. Плата за переработку этого продукта составляет 0,2 евро.



Маркировка WEE на продукте указывает на то, что его нельзя выбрасывать вместе с обычными бытовыми отходами, а необходимо сдавать в специальный пункт сбора для утилизации электрических и электронных отходов.



Как производитель мы гарантируем, что предприняли все необходимые меры для соблюдения текущих требований безопасности для этого продукта.

RU

USER CODES | GEBRUIKERSCODES  
CODES D'UTILISATEUR | BENUTZERCODES  
CÓDIGOS DE USUARIO | KODY UŻYTKOWNIKÓW  
КОДЫ ПОЛЬЗОВАТЕЛЕЙ

NAME OF USER | NAAM GEBRUIKER  
NOM UTILISATEUR | NAME BENUTZER  
NOMBRE DE USUARIO | NAZWA/NAZWISKO  
UŻYTKOWNIKA  
ИМЯ ПОЛЬЗОВАТЕЛЯ




USER CODES | GEBRUIKSCODES  
 CODES D'UTILISATEUR | BENUTZERCODES  
 CÓDIGOS DE USUARIO | KODY UŻYTKOWNIKÓW  
 КОДЫ ПОЛЬЗОВАТЕЛЕЙ

NAME OF USER | NAAM GEBRUIKER  
 NOM UTILISATEUR | NAME BENUTZER  
 NOMBRE DE USUARIO | NAZWA/NAZWISKO  
 UŻYTKOWNIKA  
 ИМЯ ПОЛЬЗОВАТЕЛЯ

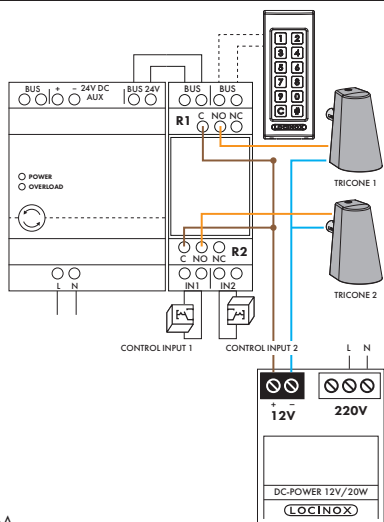
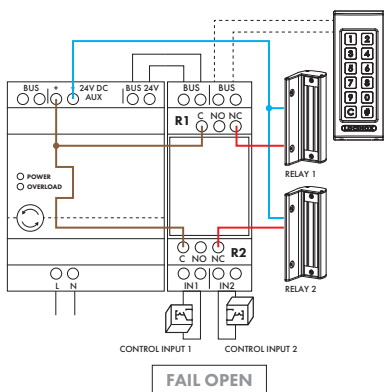
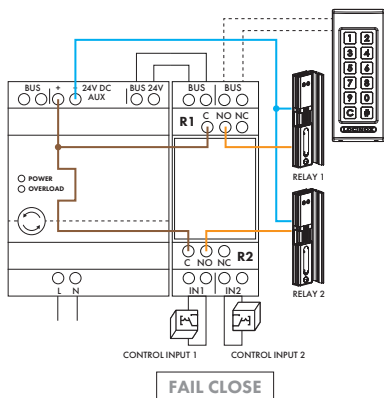
USER CODES   GEBRUIKSCODES CODES D'UTILISATEUR   BENUTZERCODES CÓDIGOS DE USUARIO   KODY UŻYTKOWNIKÓW КОДЫ ПОЛЬЗОВАТЕЛЕЙ							NAME OF USER   NAAM GEBRUIKER NOM UTILISATEUR   NAME BENUTZER NOMBRE DE USUARIO   NAZWA/NAZWISKO UŻYTKOWNIKA ИМЯ ПОЛЬЗОВАТЕЛЯ	







CONNECTION SCHEME • AANSLUITSCHAMA • SCHÉMA DE CONNEXION  
 VERBINDUNGSSCHHEMA • ESQUEMA DE CONEXIÓN  
 SCHEMAT PODŁĄCZENIA • СХЕМА ПОДКЛЮЧЕНИЯ



R1, R2: 250 V~ / 24V ~, 16A

# LOCINOX<sup>®</sup>

Let's make it better together

## Doc. Nr.: MANU-000443

Locinox NV • Mannebeekstraat 21  
B-8790 Waregem • Belgium - Europe  
Tel. +32 (0)56 77 27 66  
E-mail: [info@locinox.com](mailto:info@locinox.com)

Locinox CEE • Irysowa 9  
55-040 Bielany Wrocławskie • Poland - Europe  
Tel. +48 717 58 21 09  
E-mail: [info@locinox.com](mailto:info@locinox.com)

Locinox USA LLC • 460-464 Windy Point Drive  
Glendale Heights • IL60139  
Tel. 877-LOCINOX  
E-mail: [salesusa@locinox.com](mailto:salesusa@locinox.com)



MANU-000443